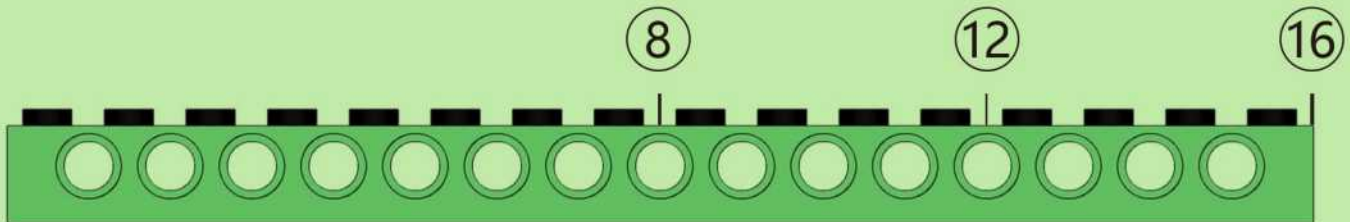
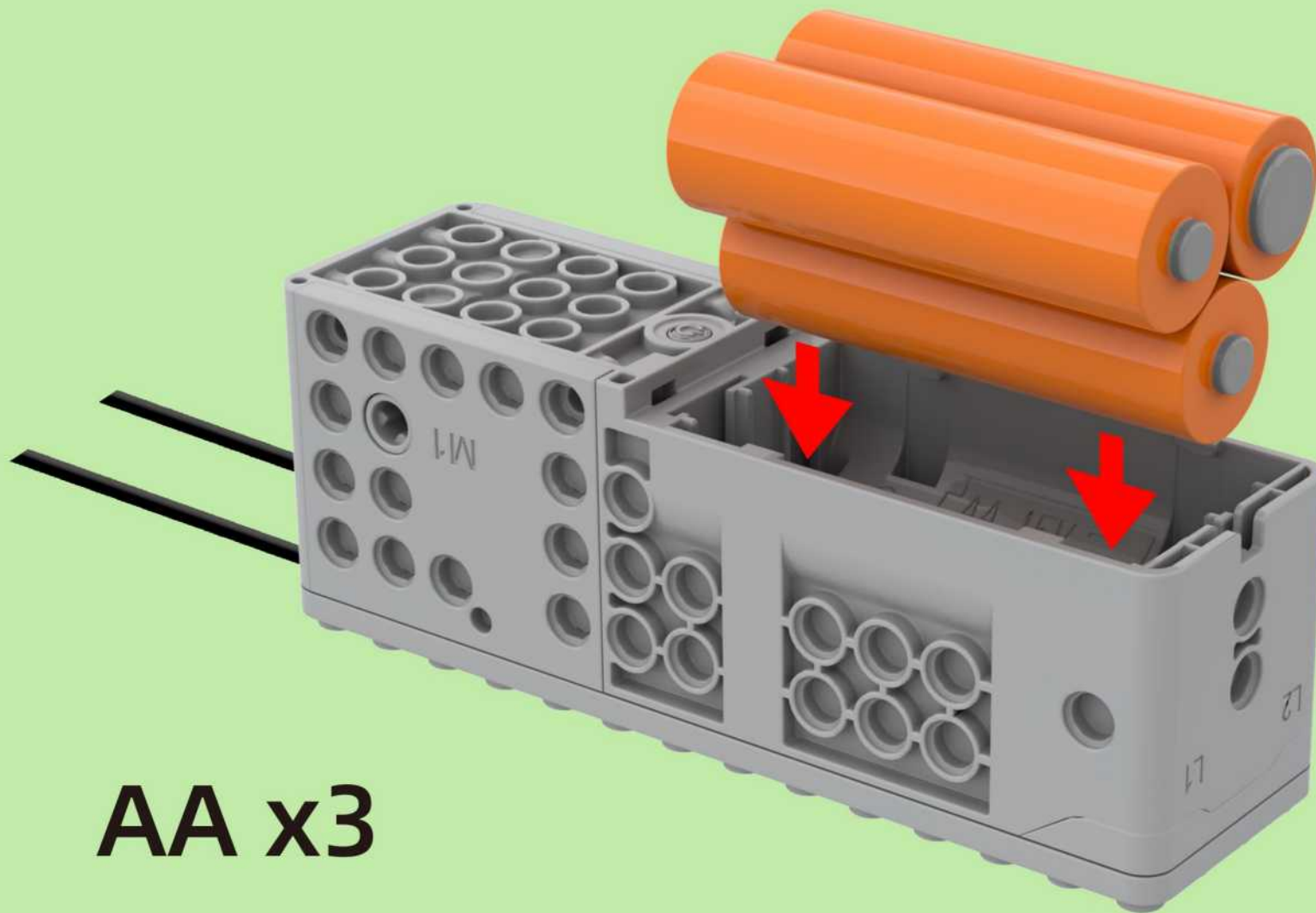


# I

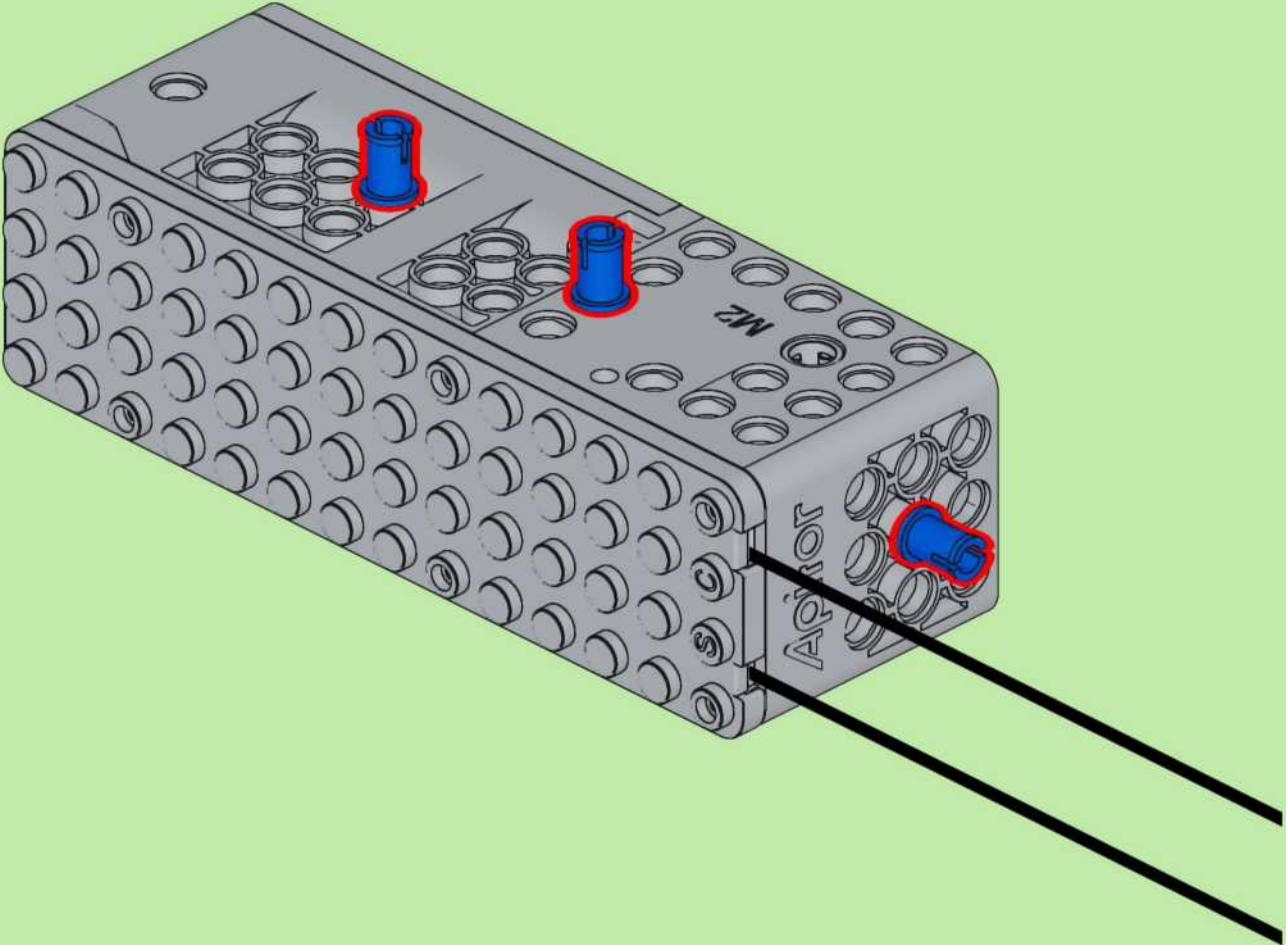
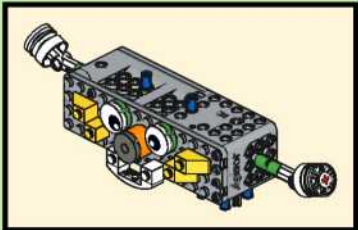


**II**

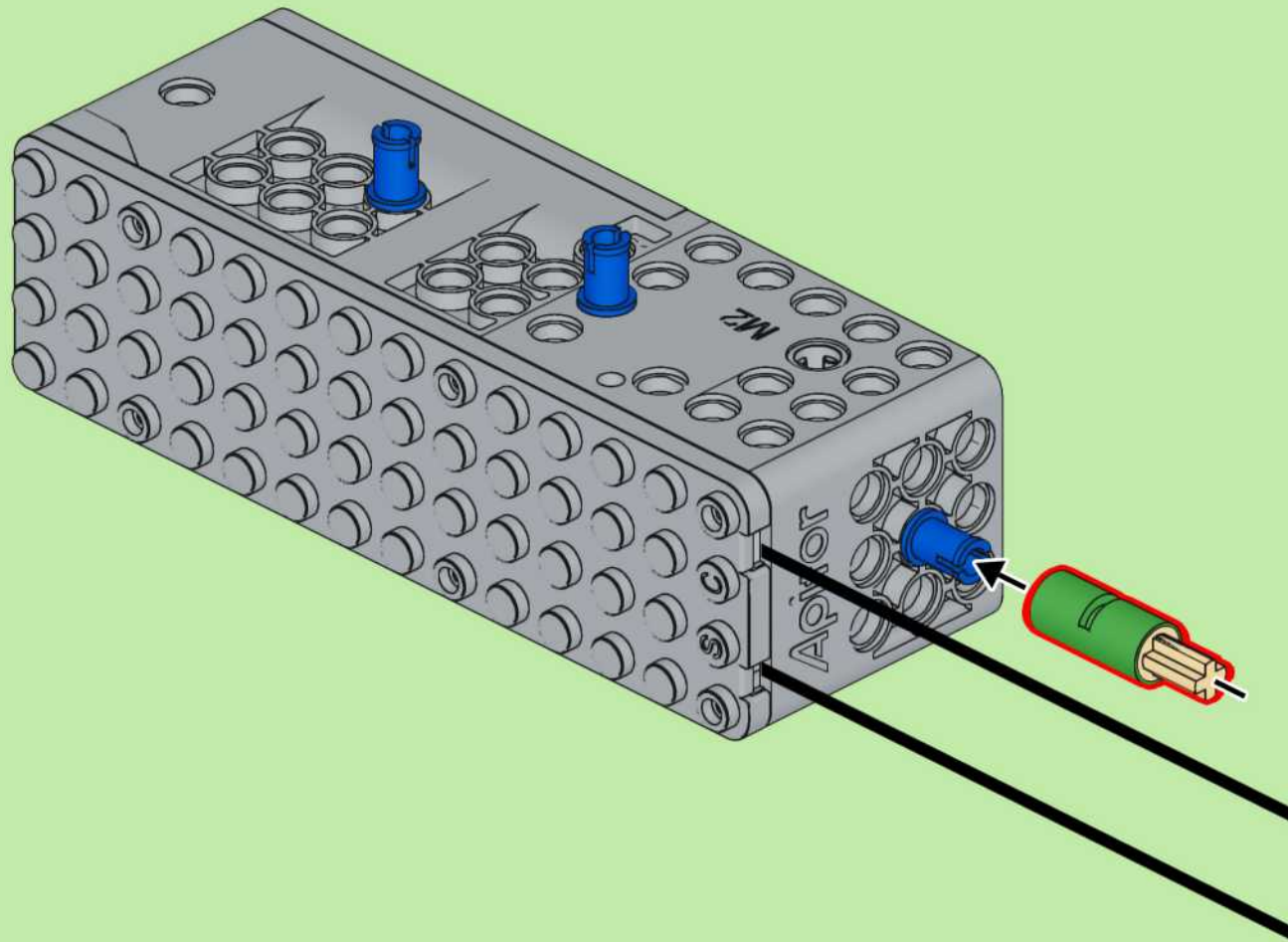
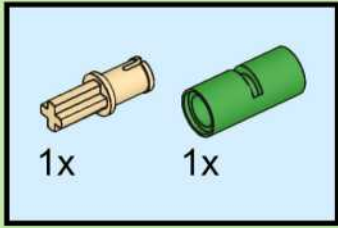


**AA x3**

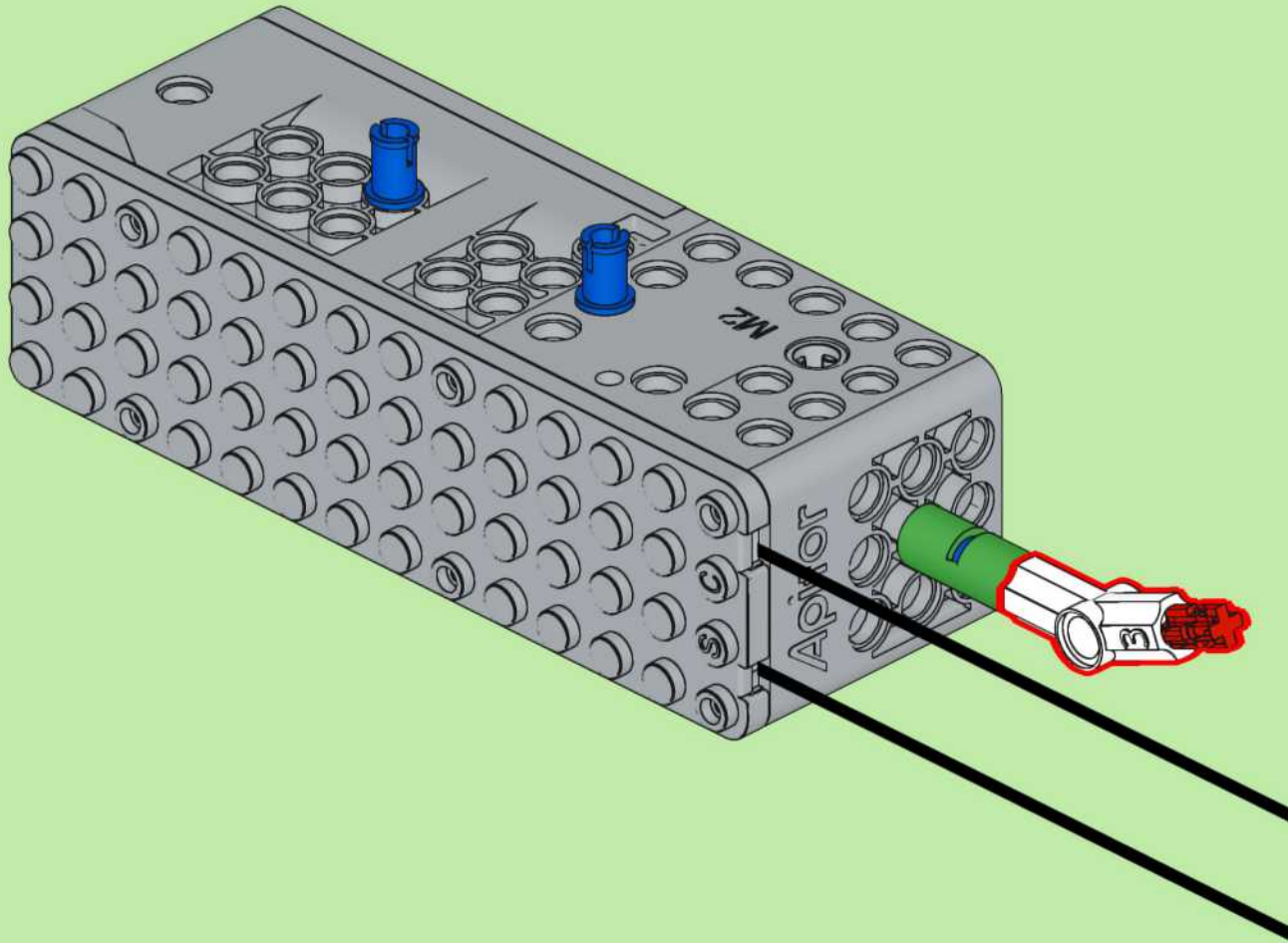
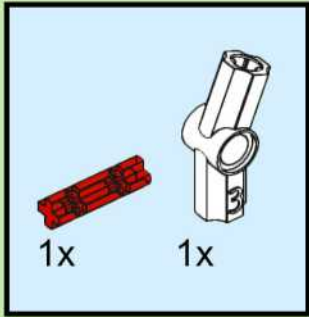
1



# 2

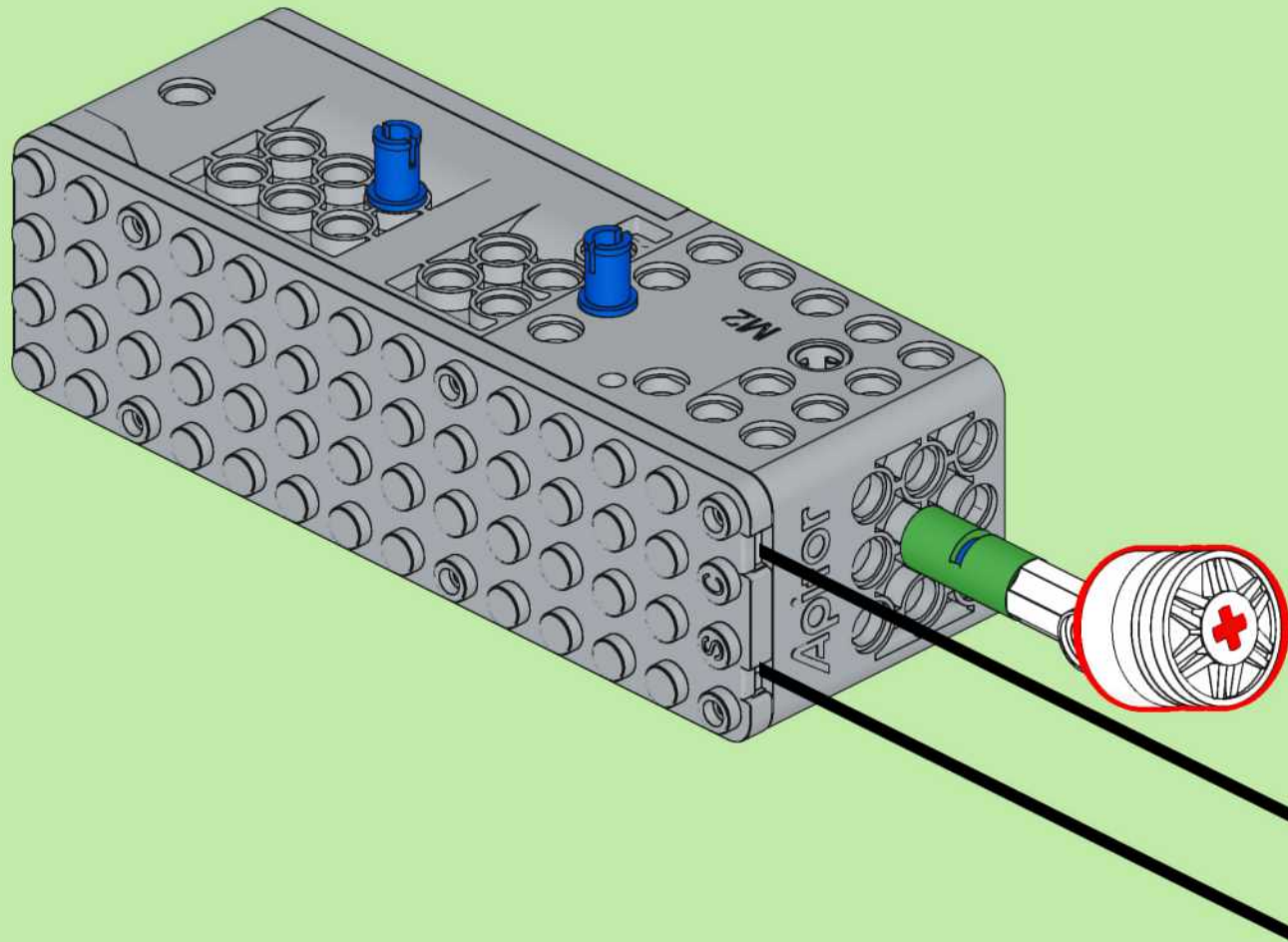
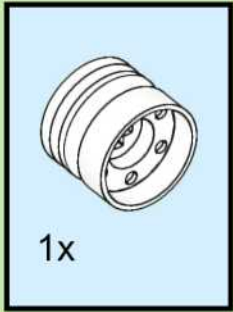


# 3

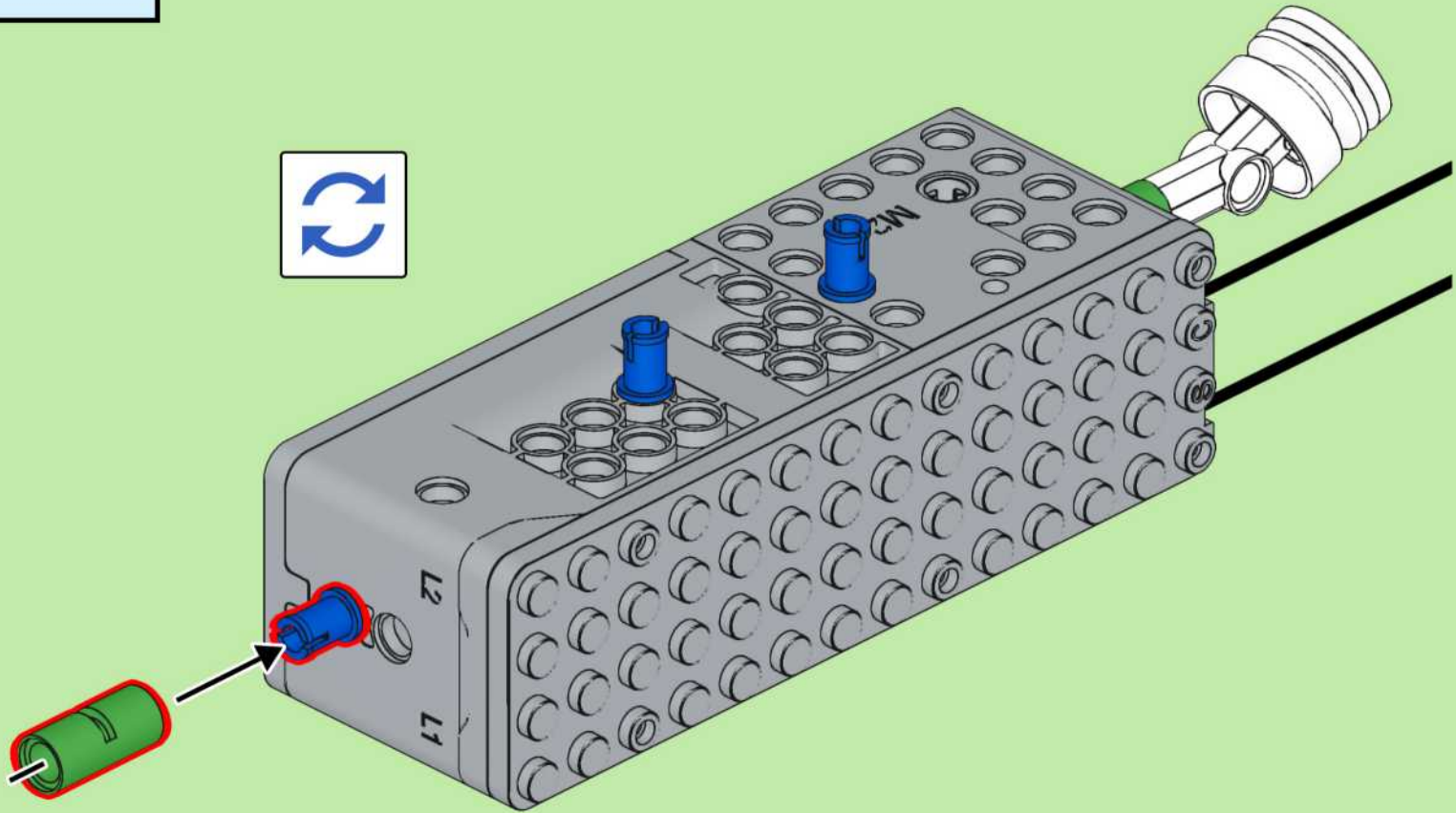
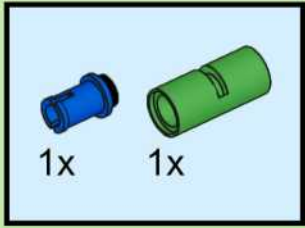




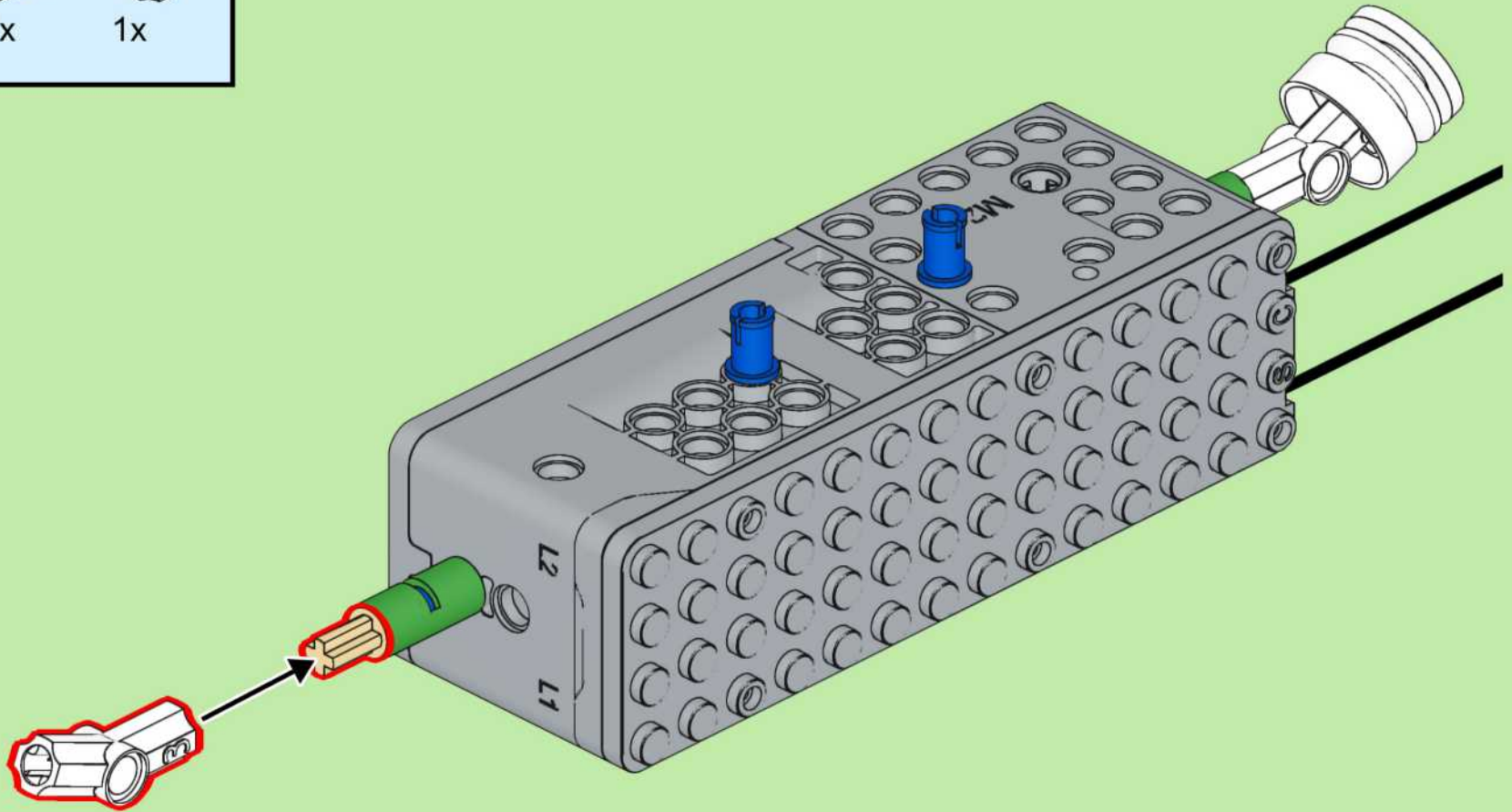
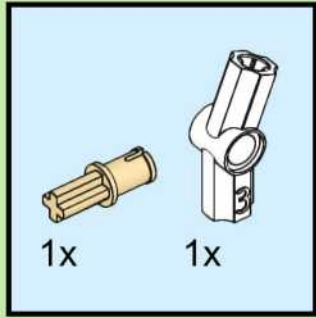
4



# 5

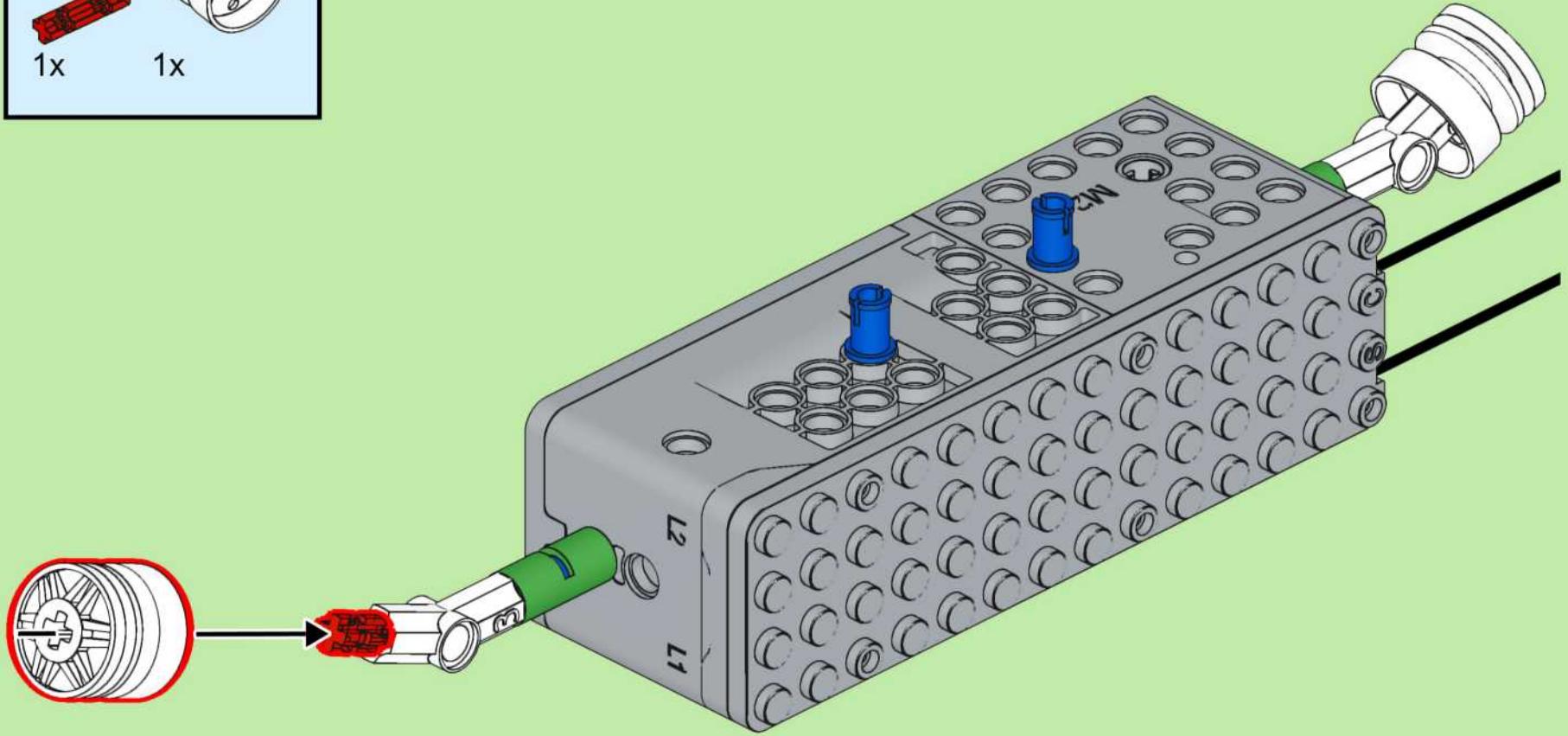
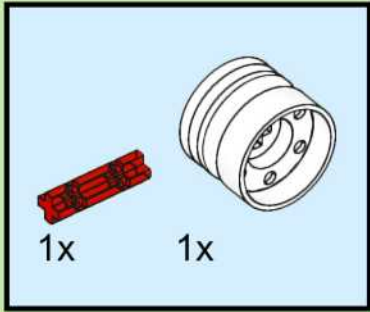


# 6

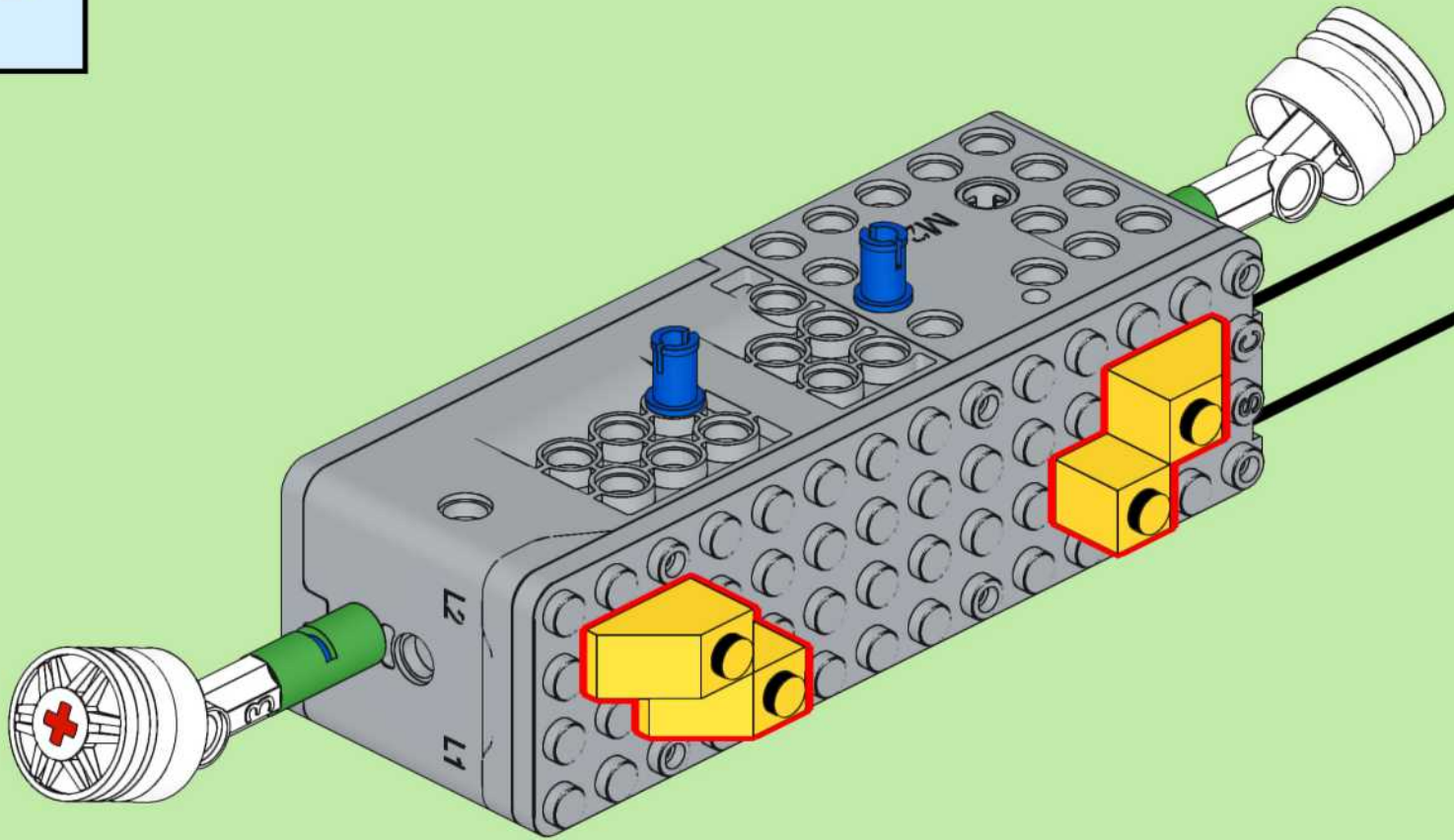
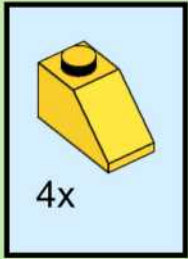




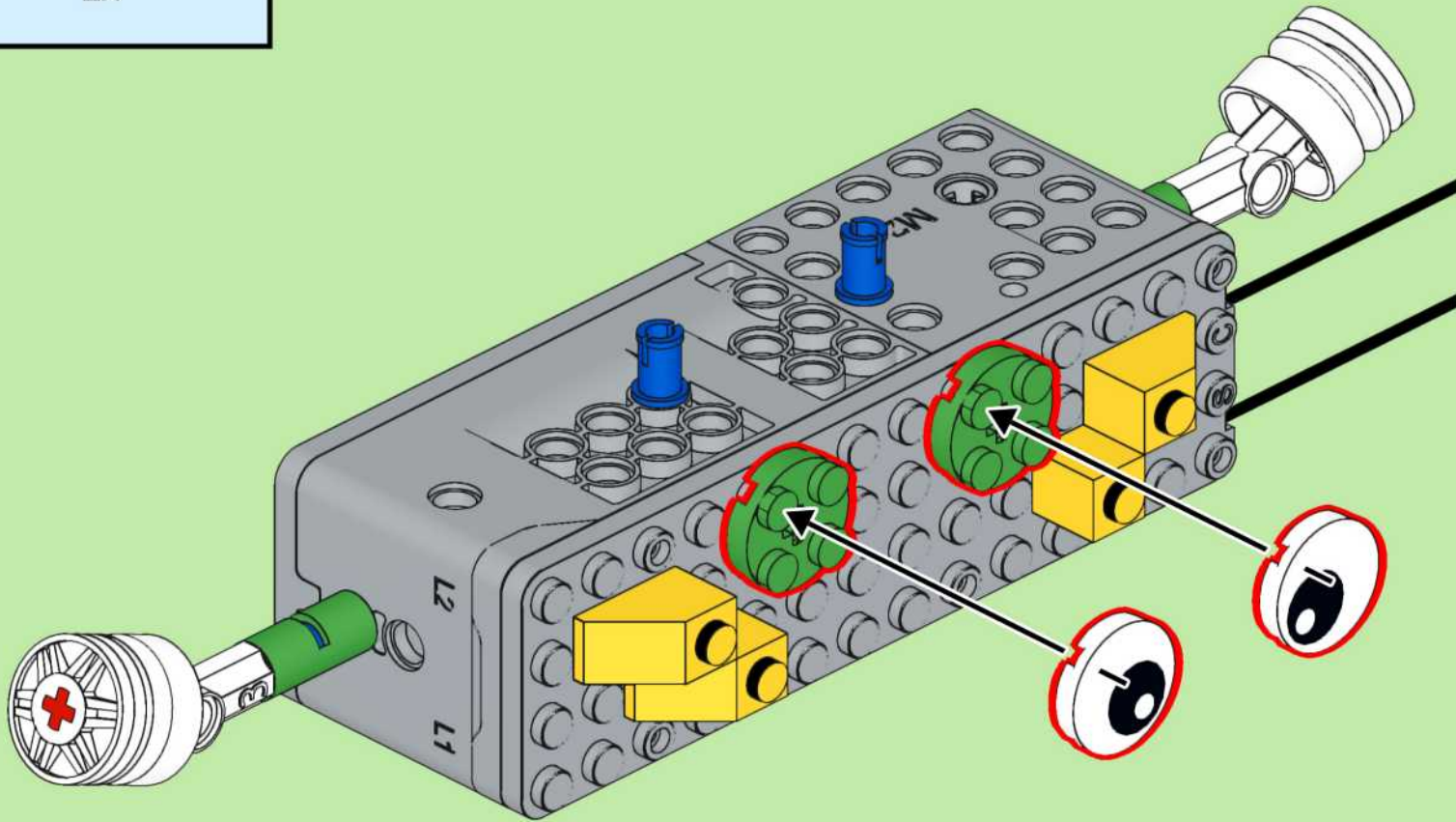
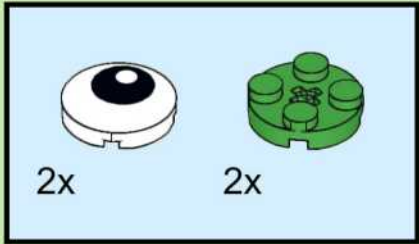
7



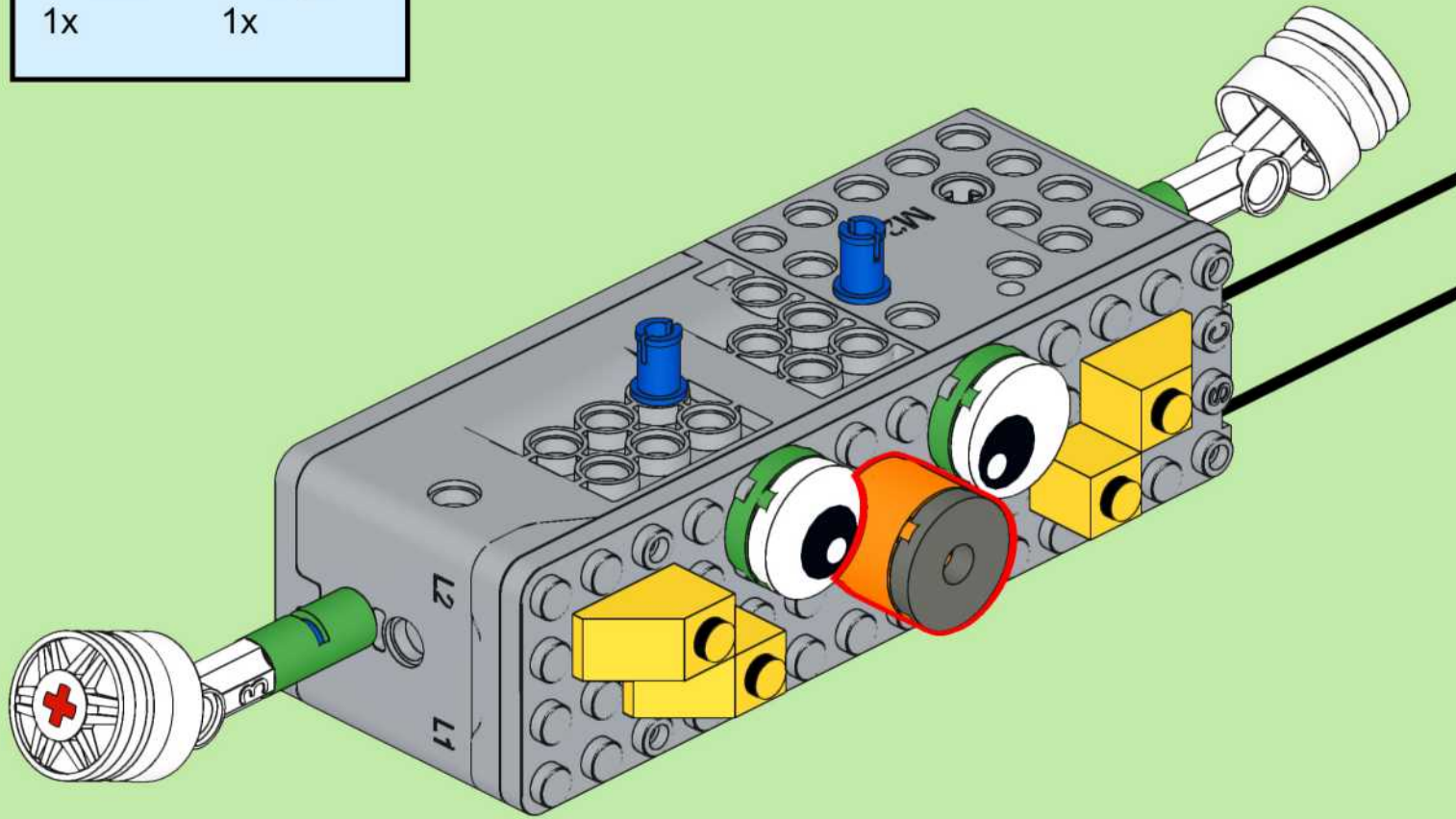
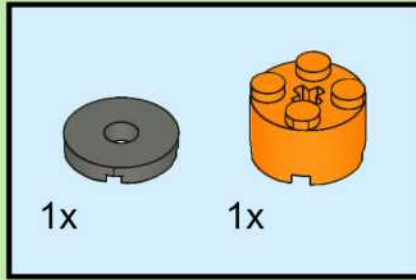
8



9

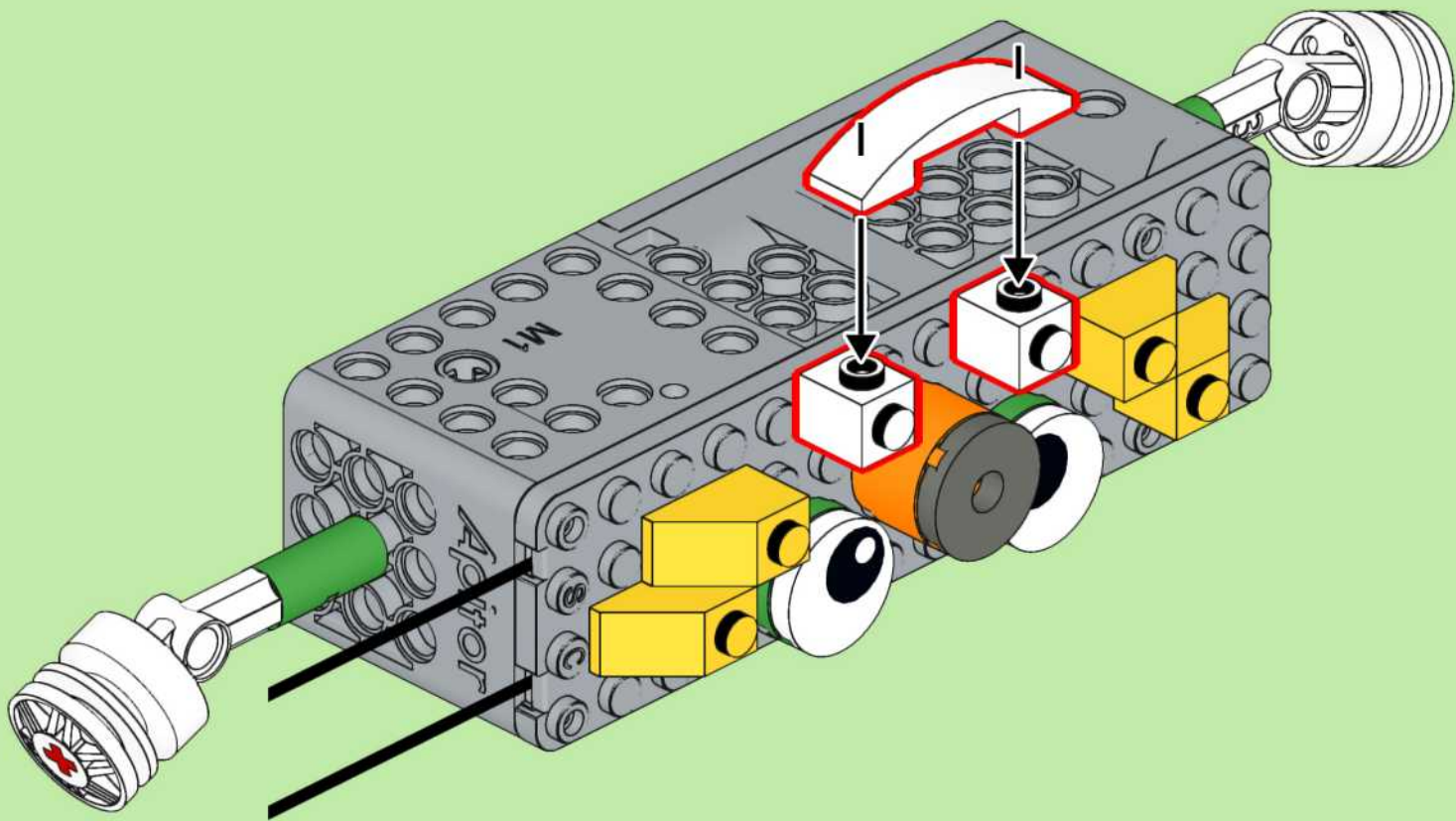
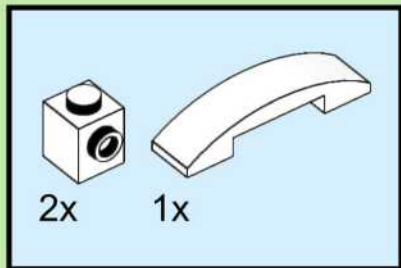


# 10



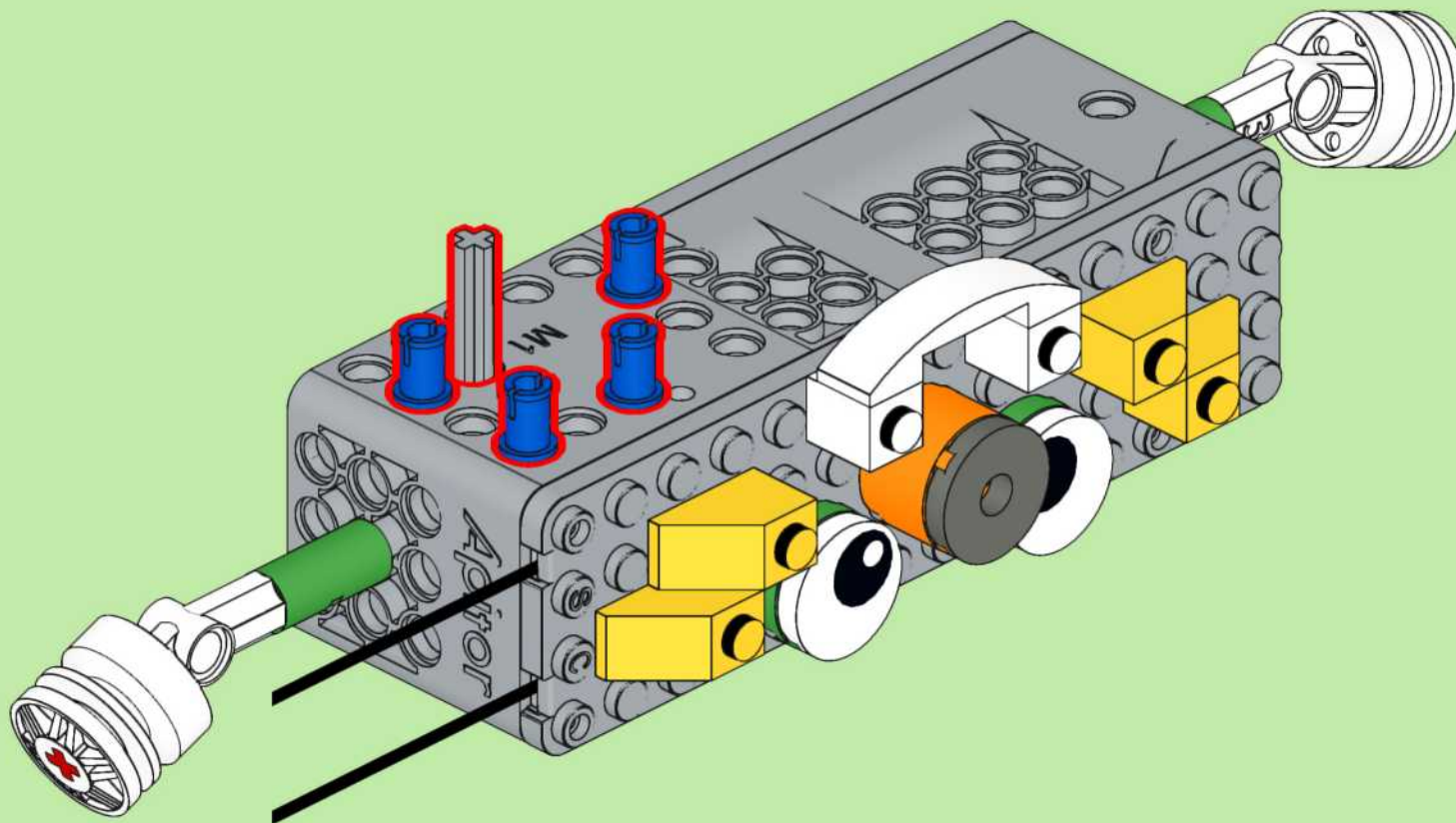
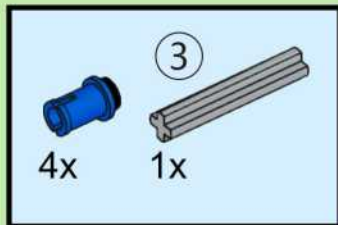


# 11

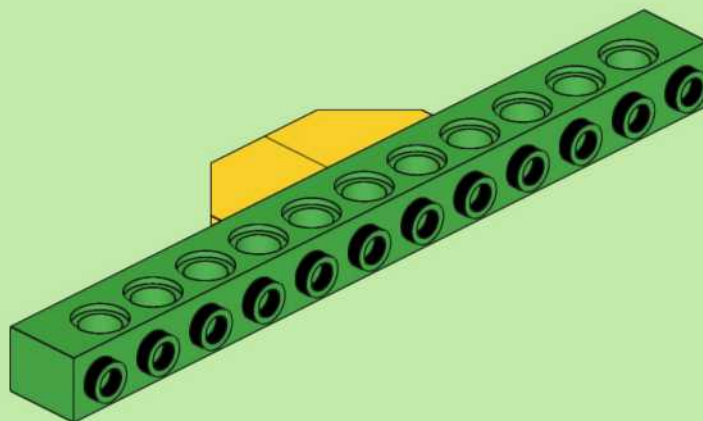
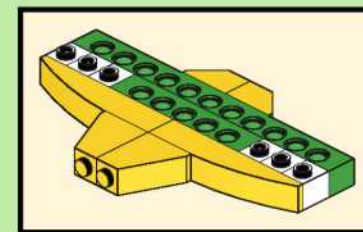
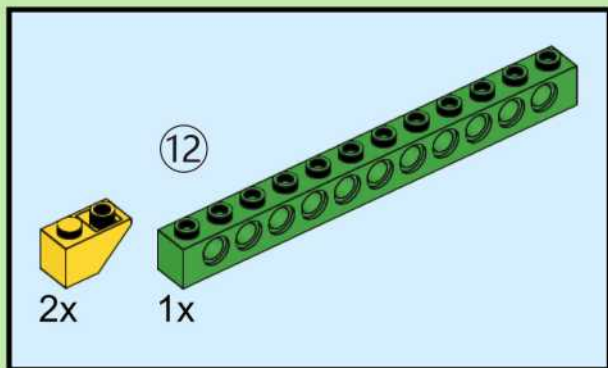




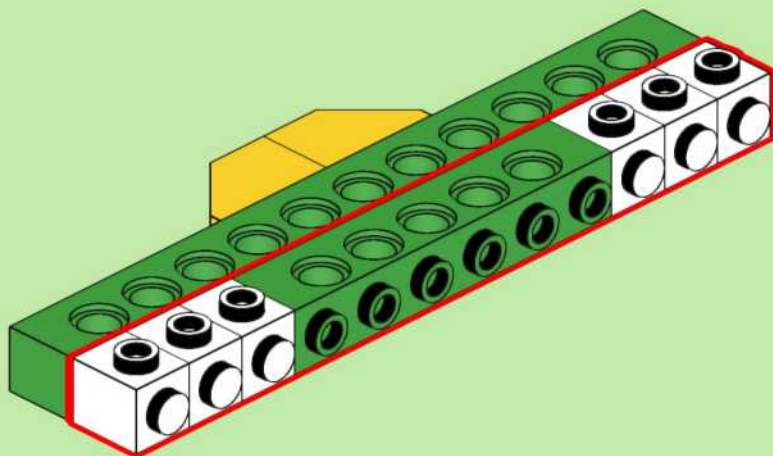
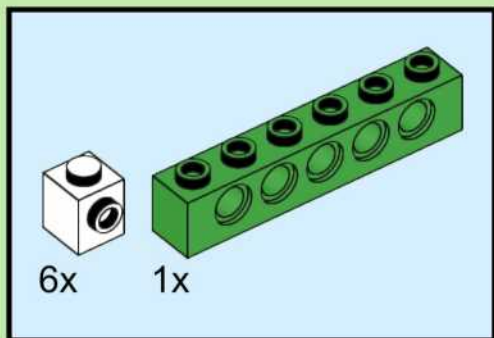
# 12



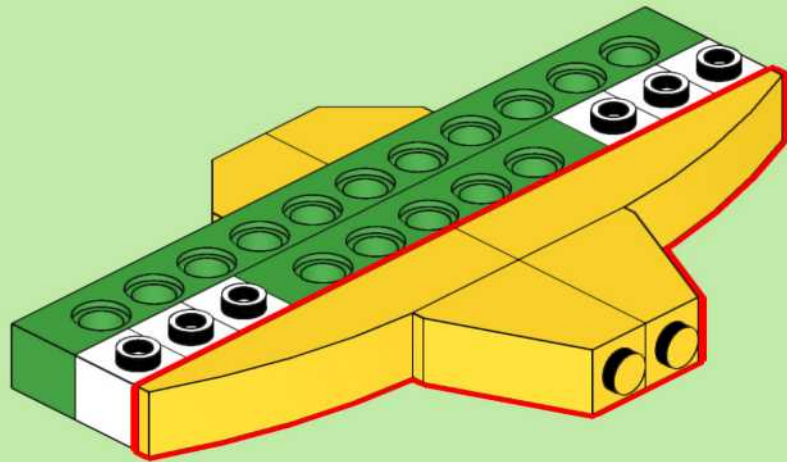
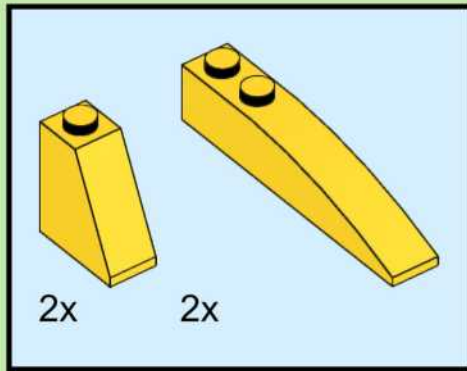
# 13



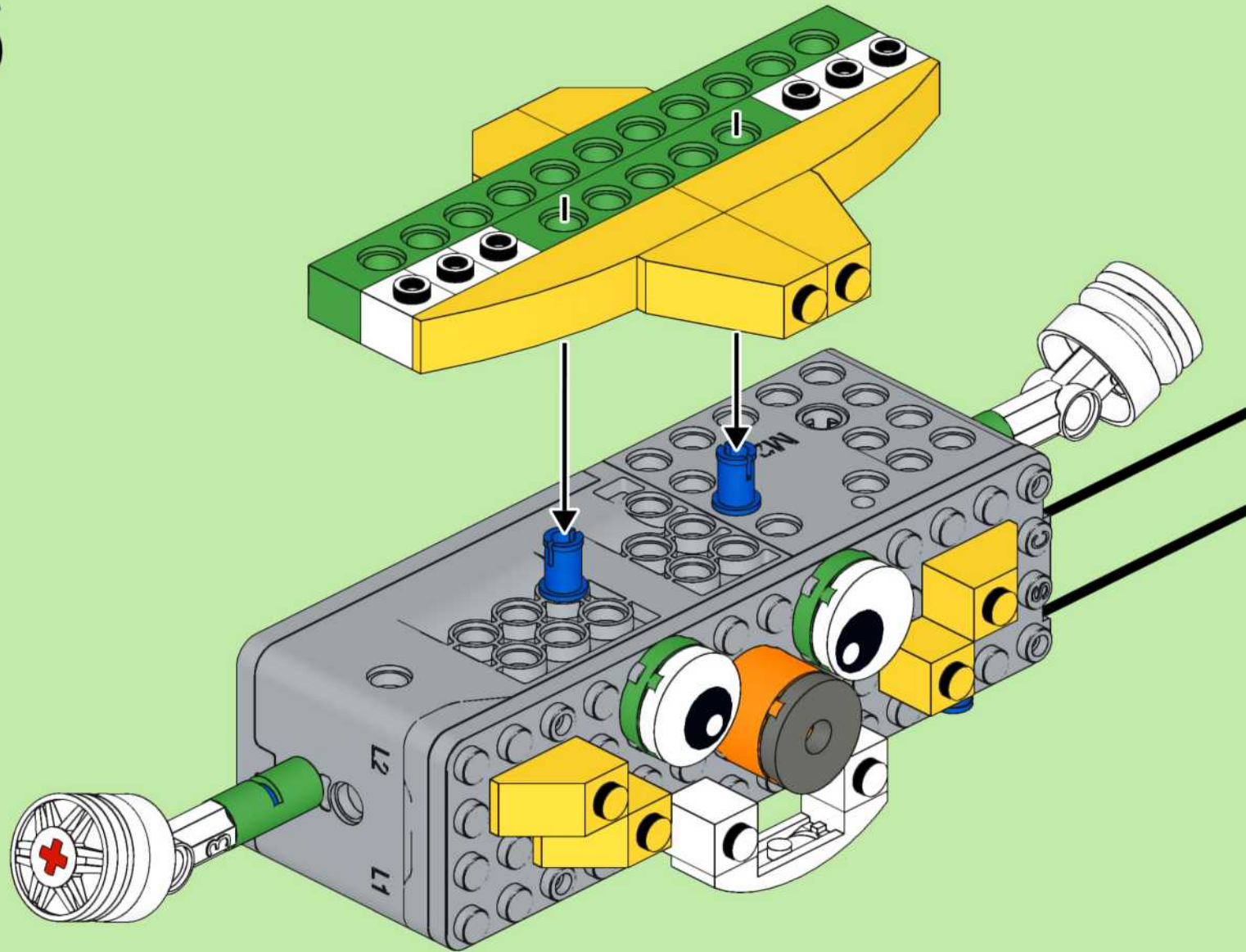
# 14



# 15



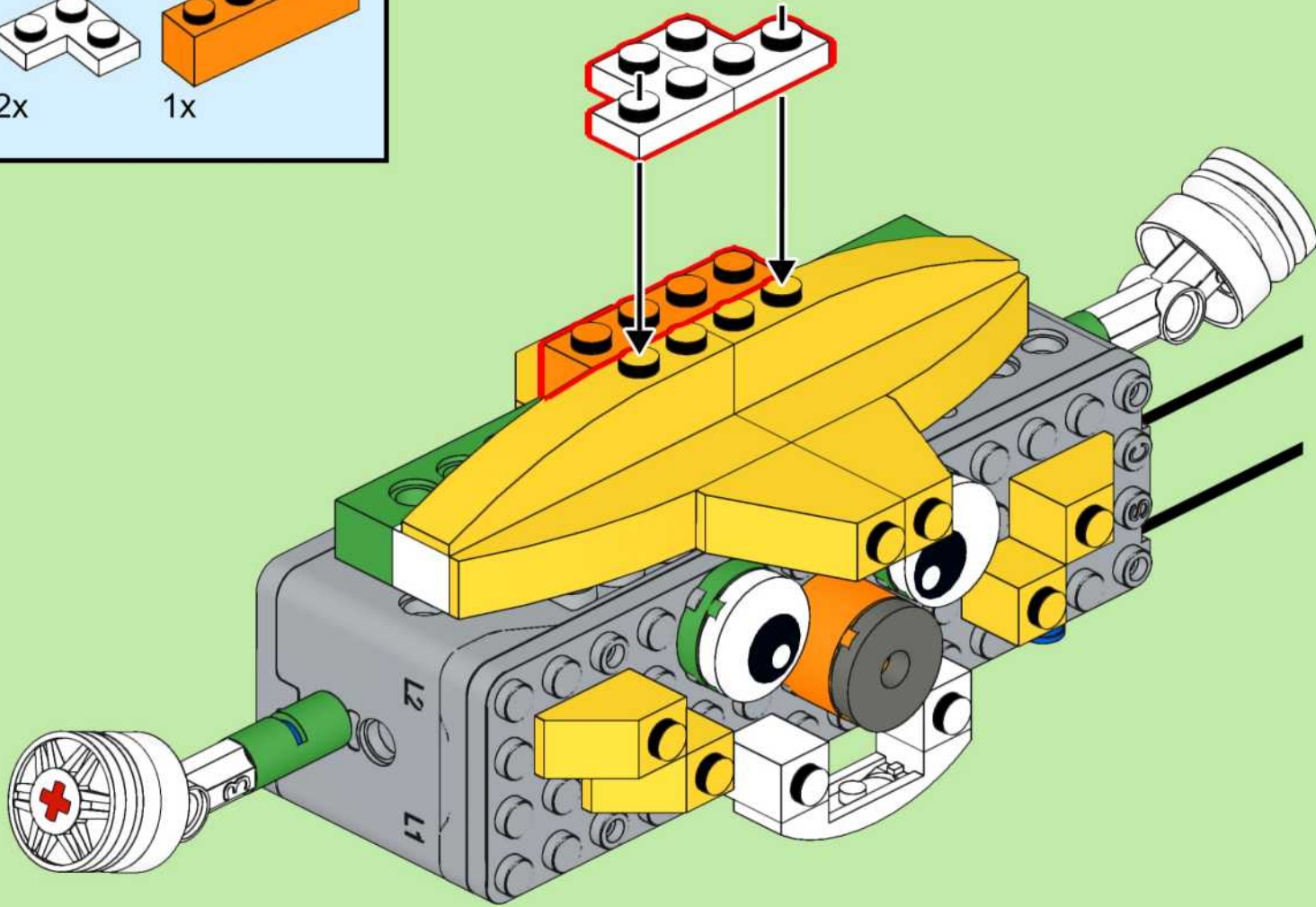
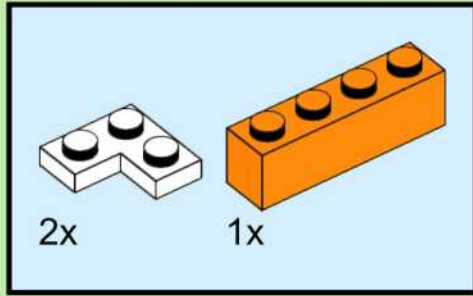
# 16



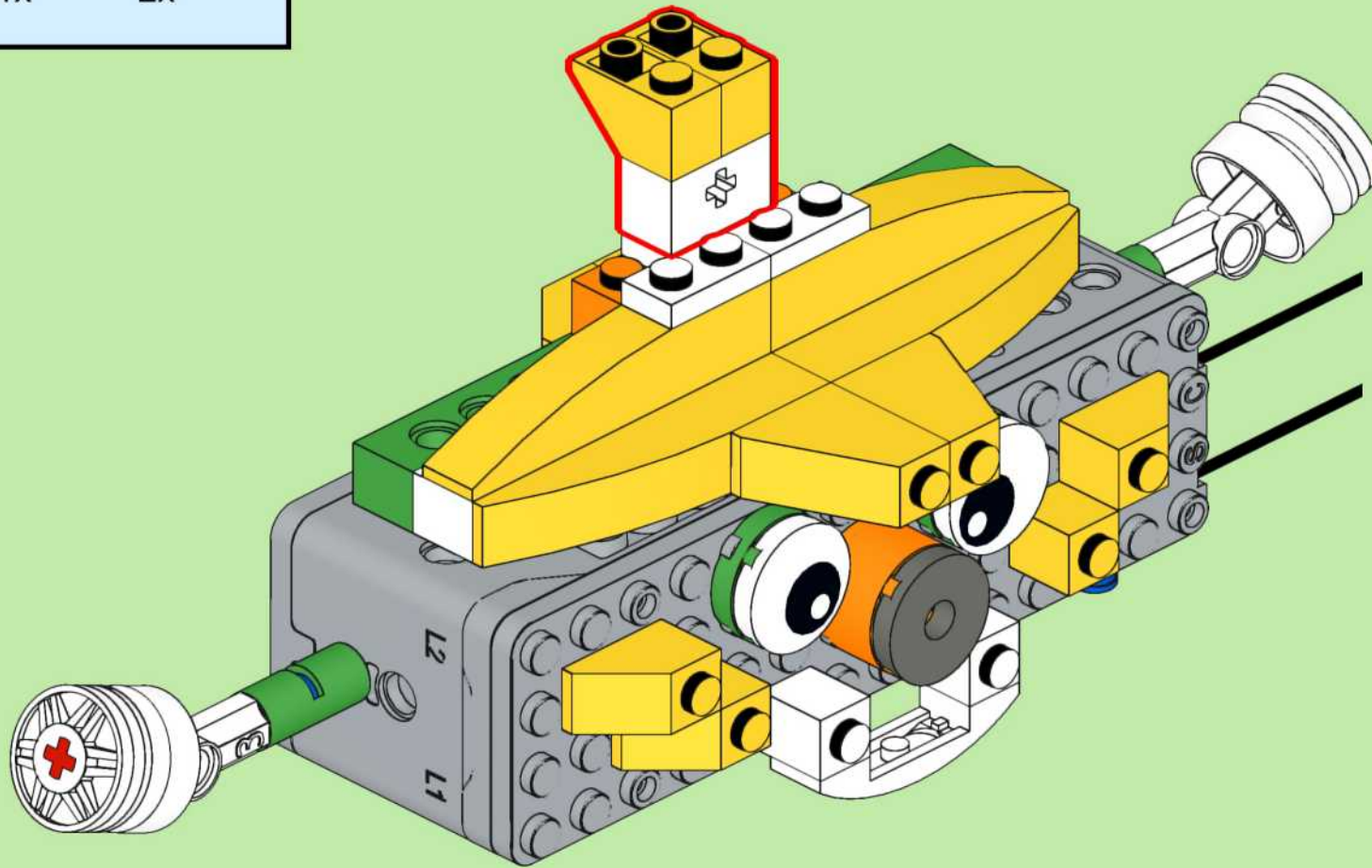
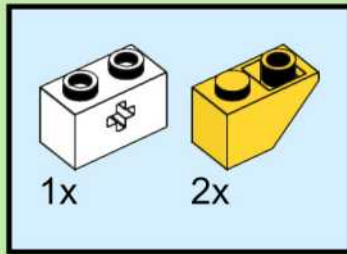




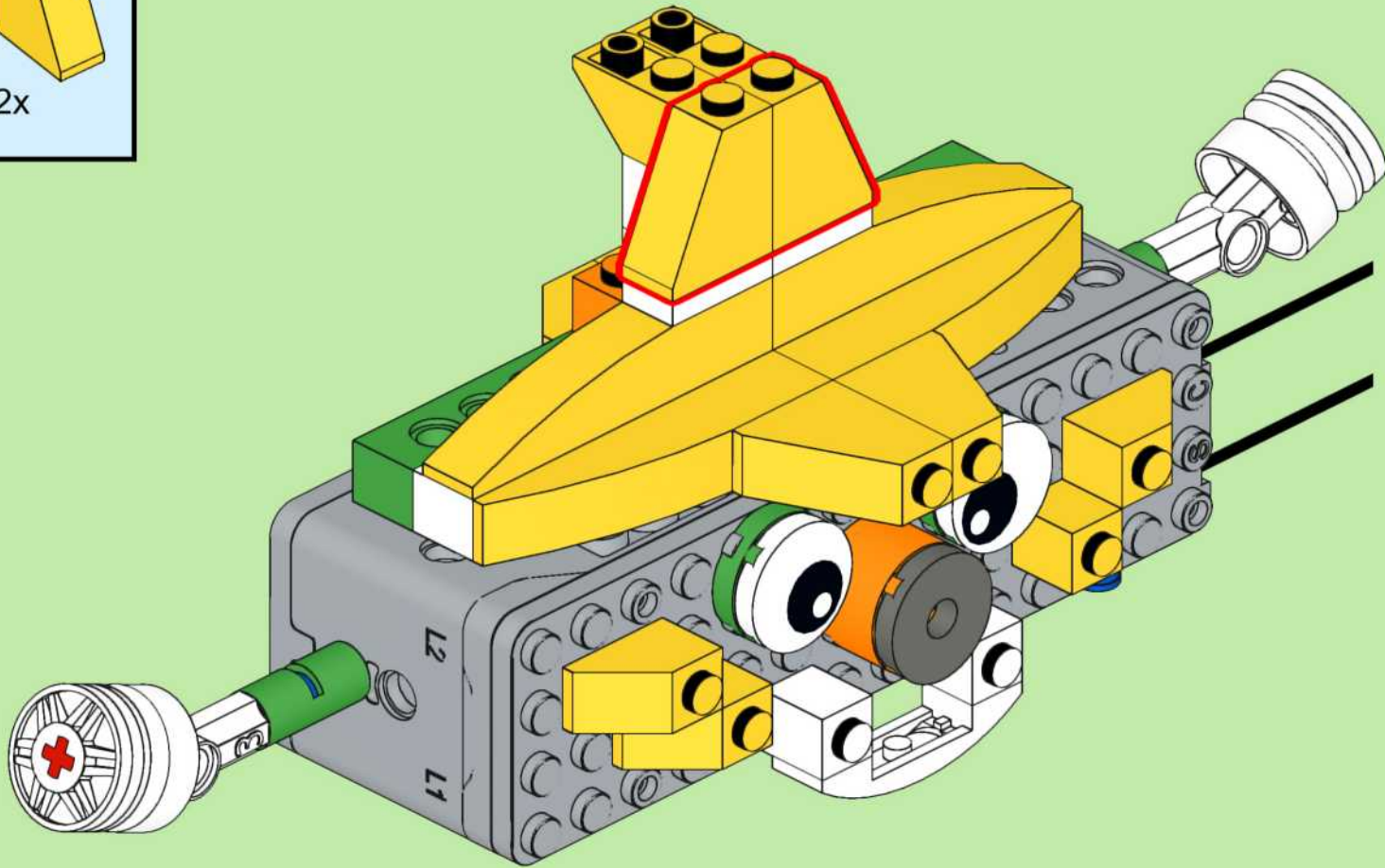
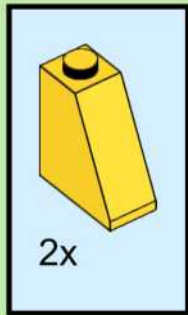
# 18



# 19

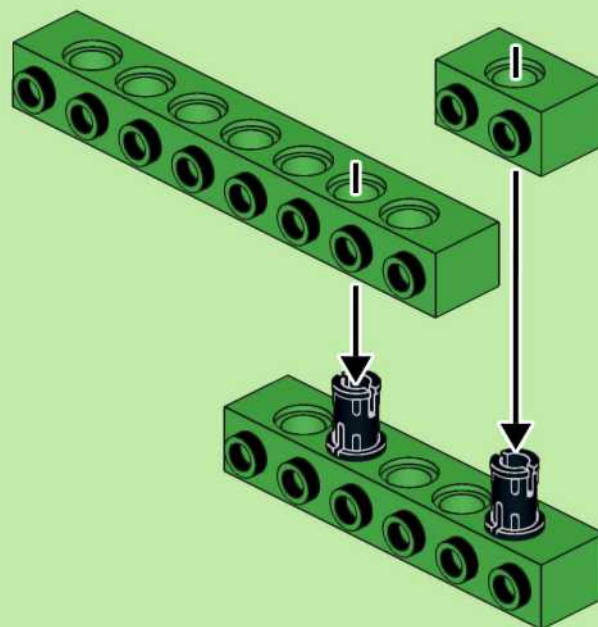
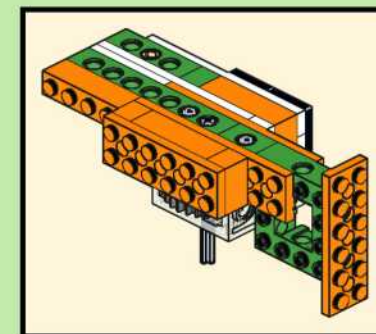
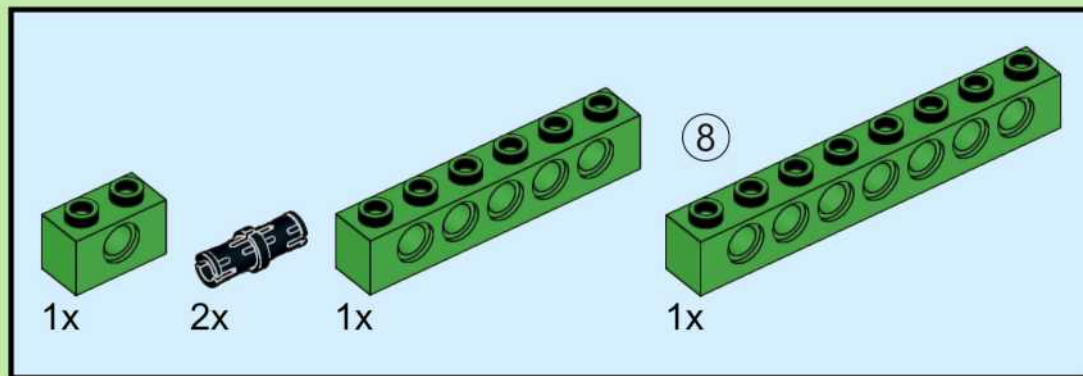


# 20





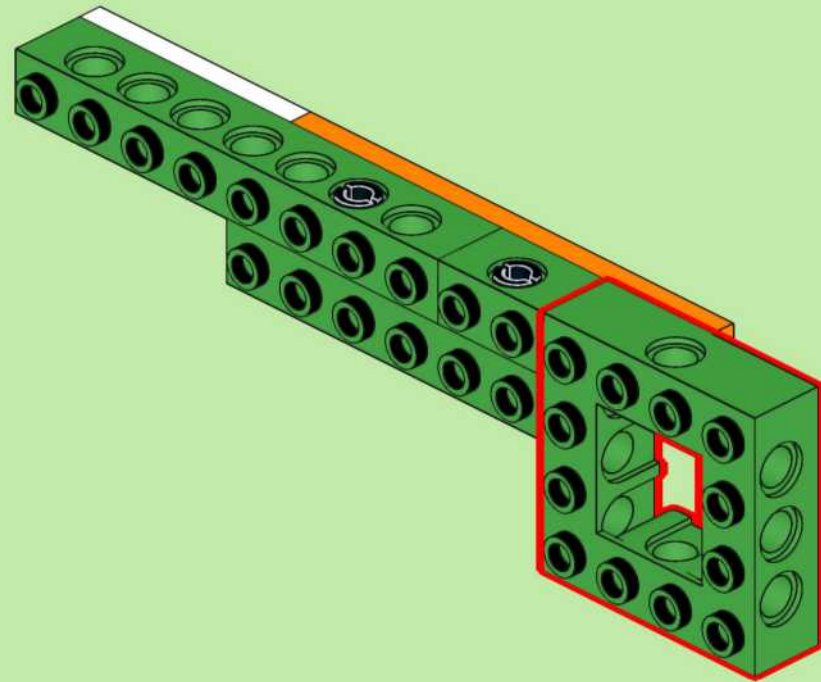
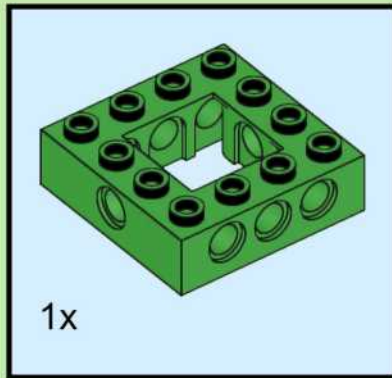
# 21



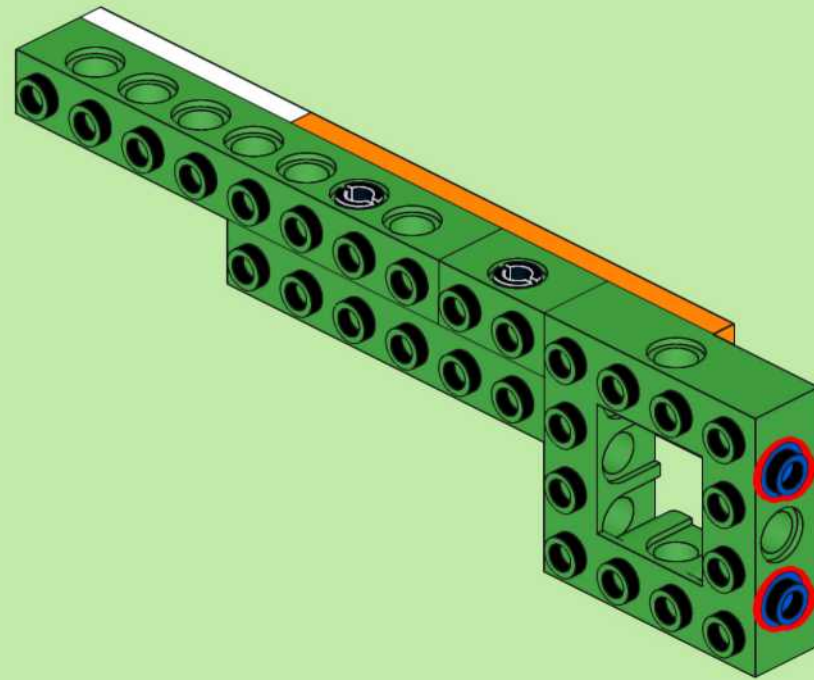
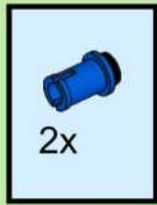




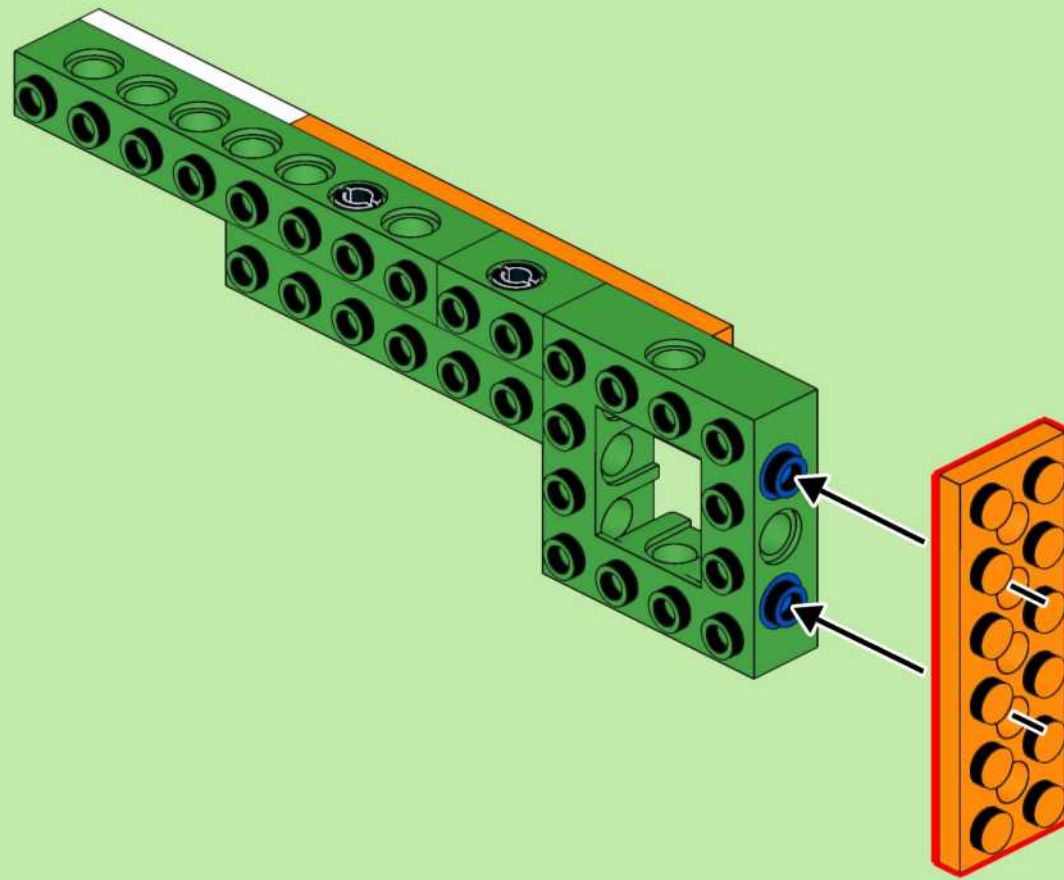
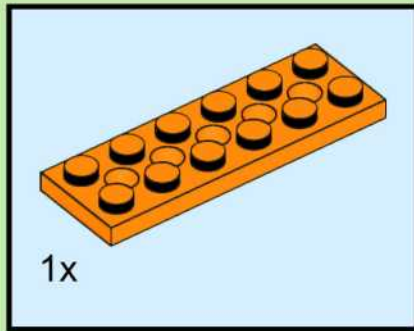
# 23



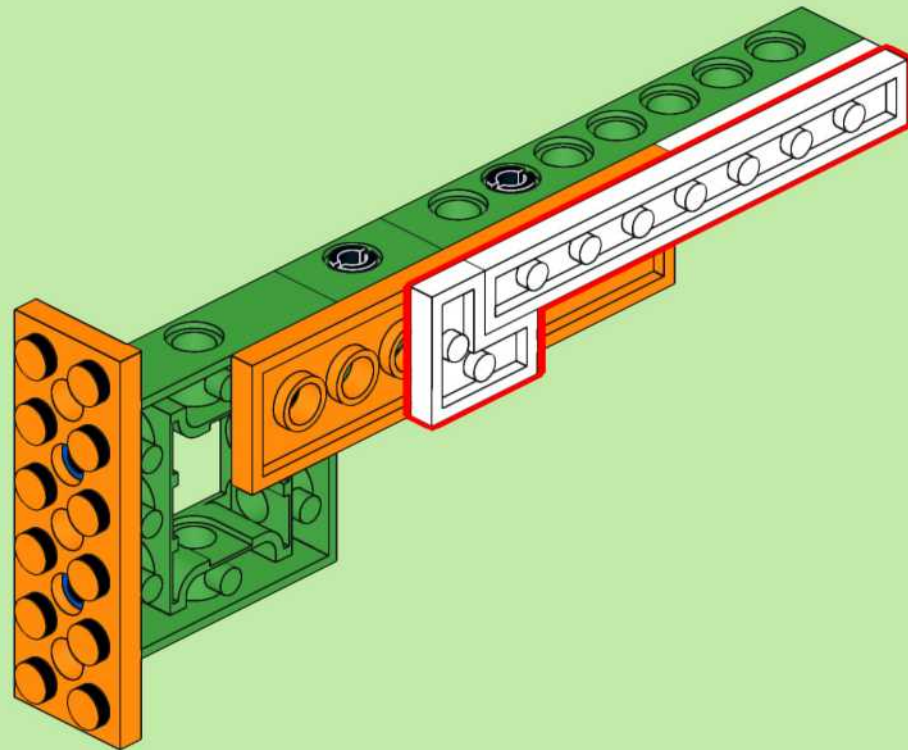
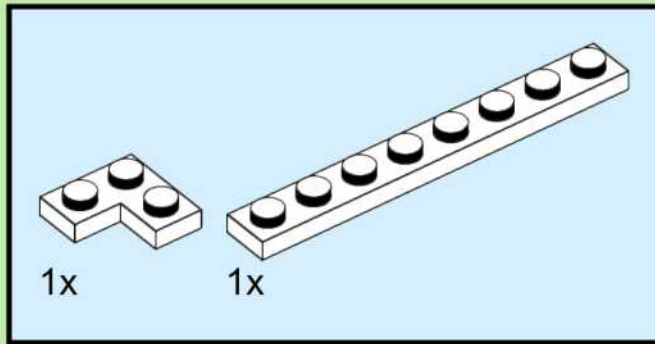
24



# 25

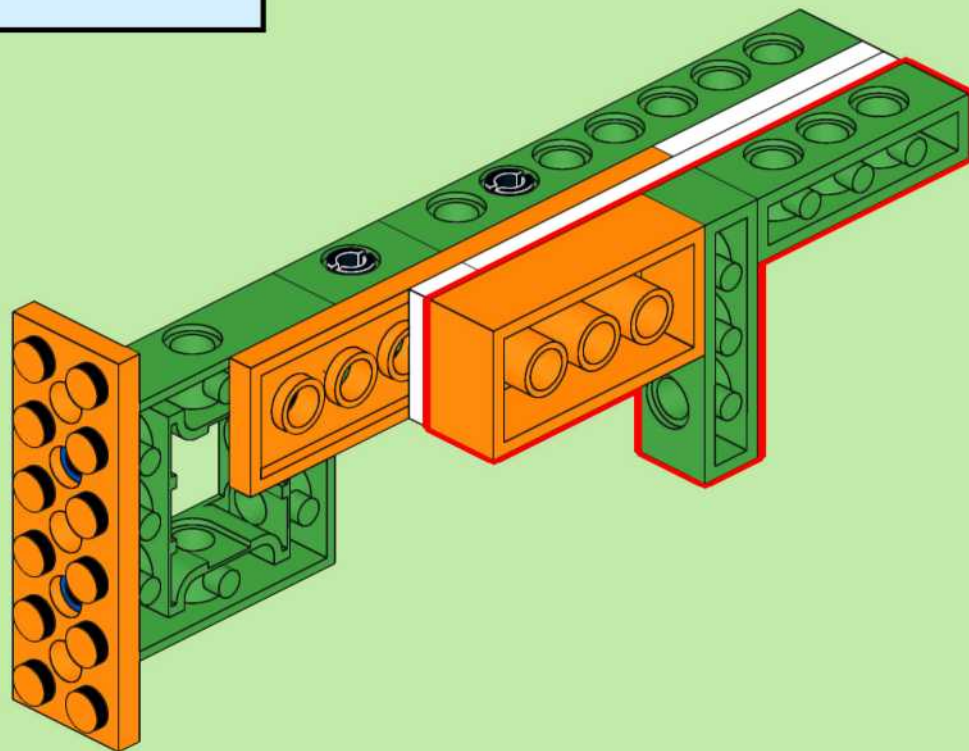
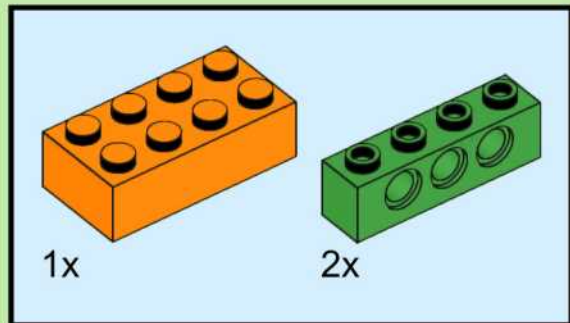


# 26

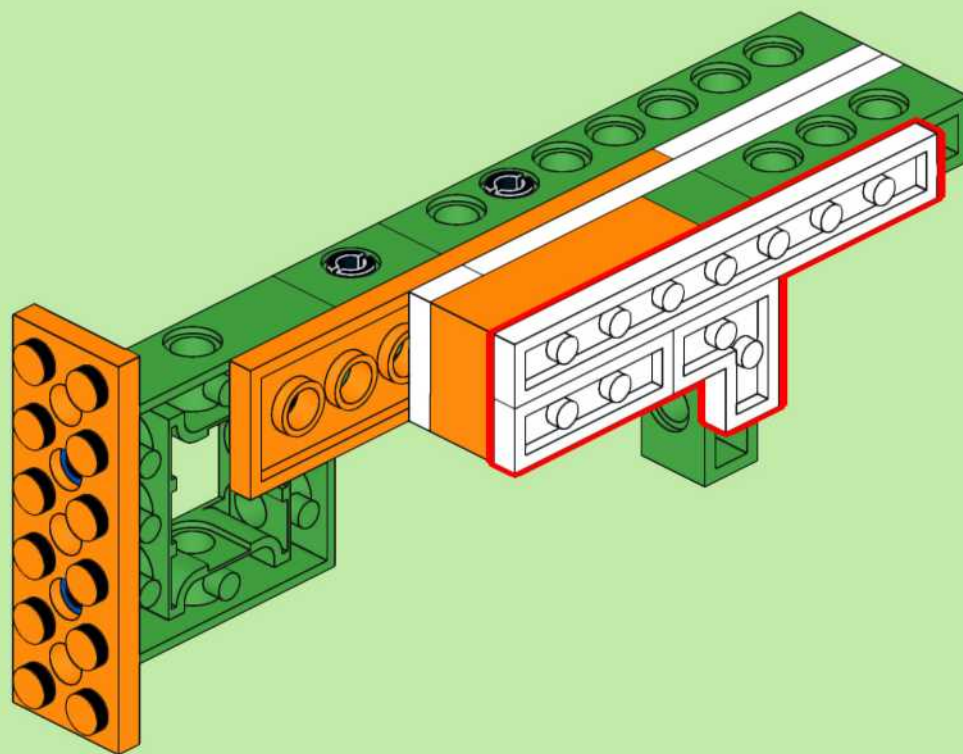
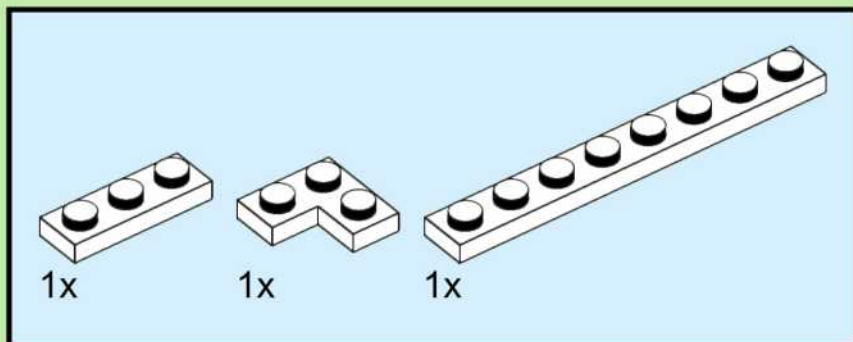




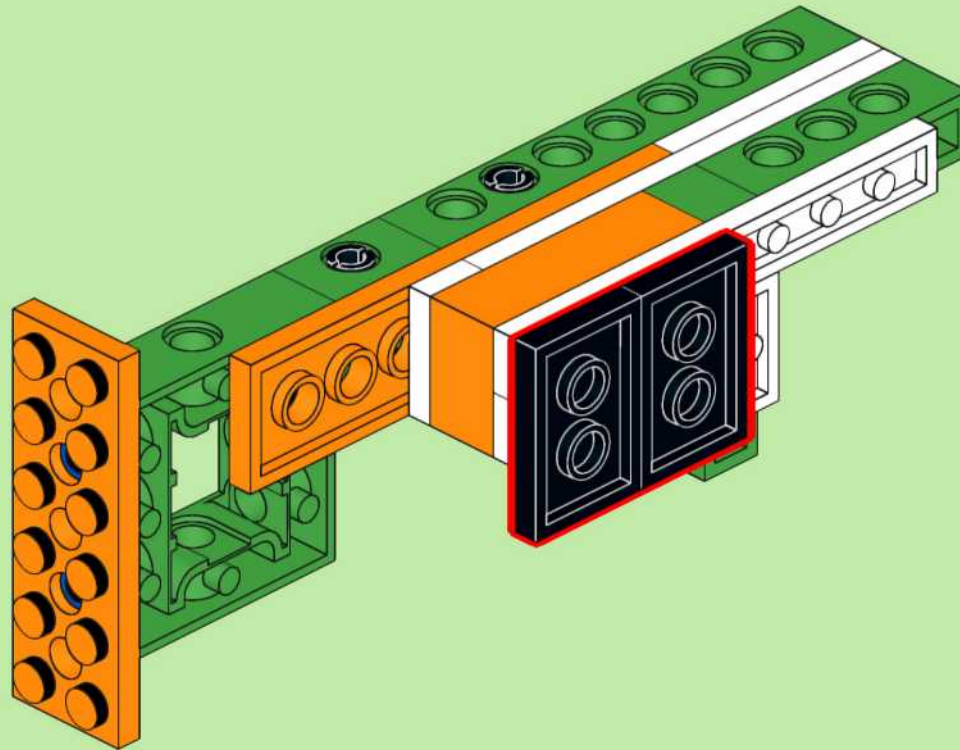
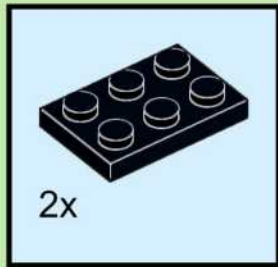
# 27



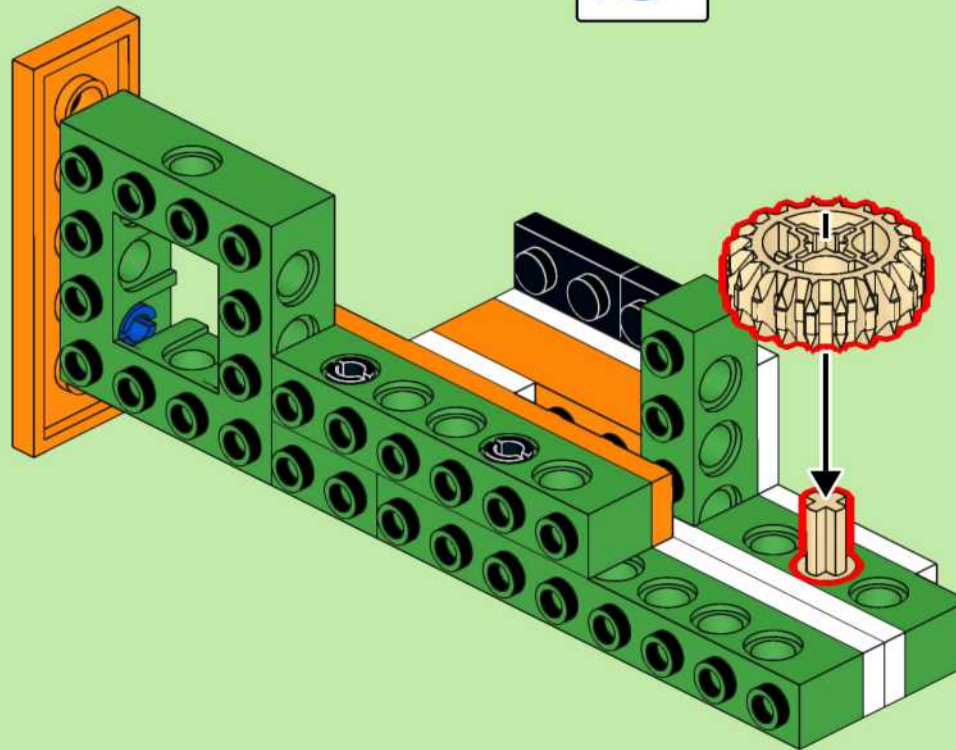
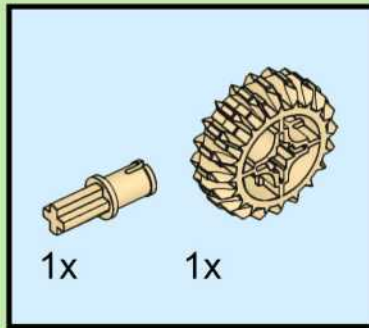
# 28



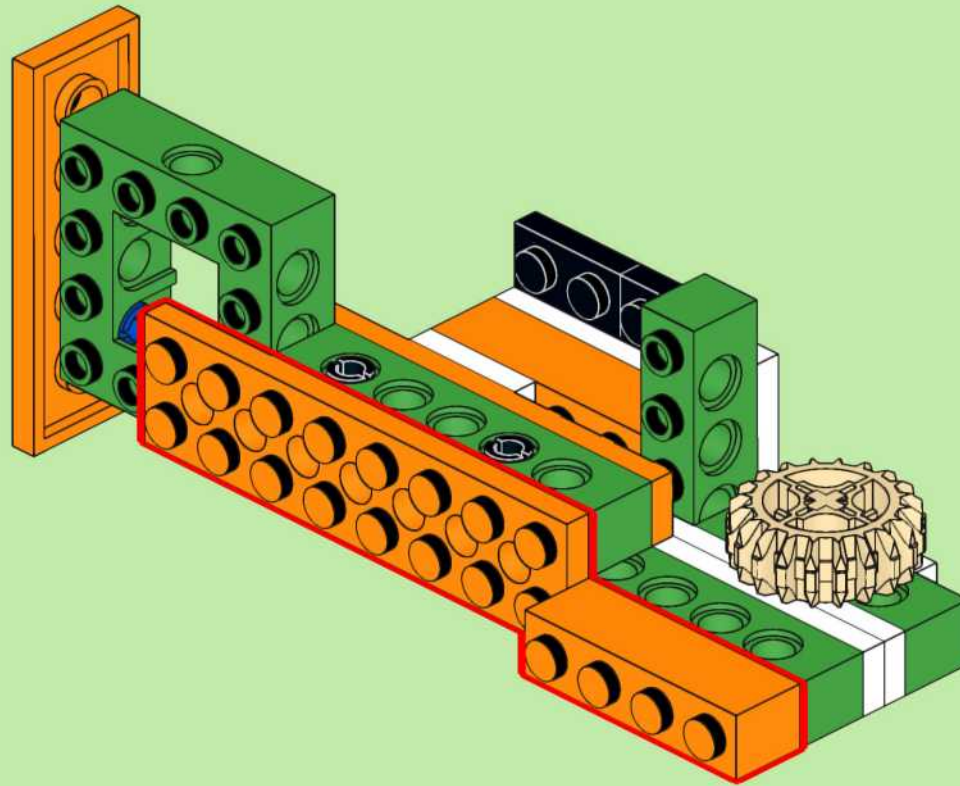
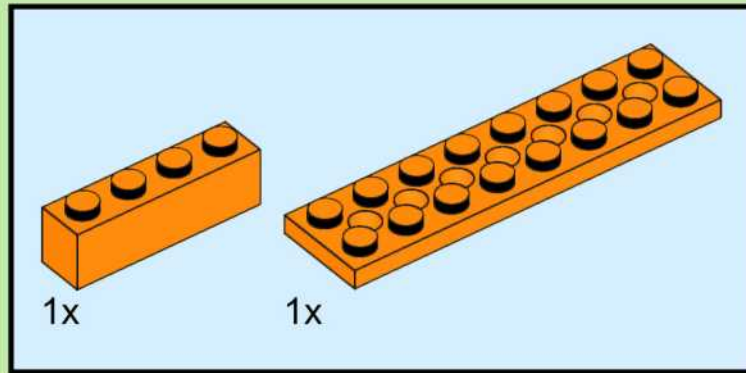
# 29



# 30

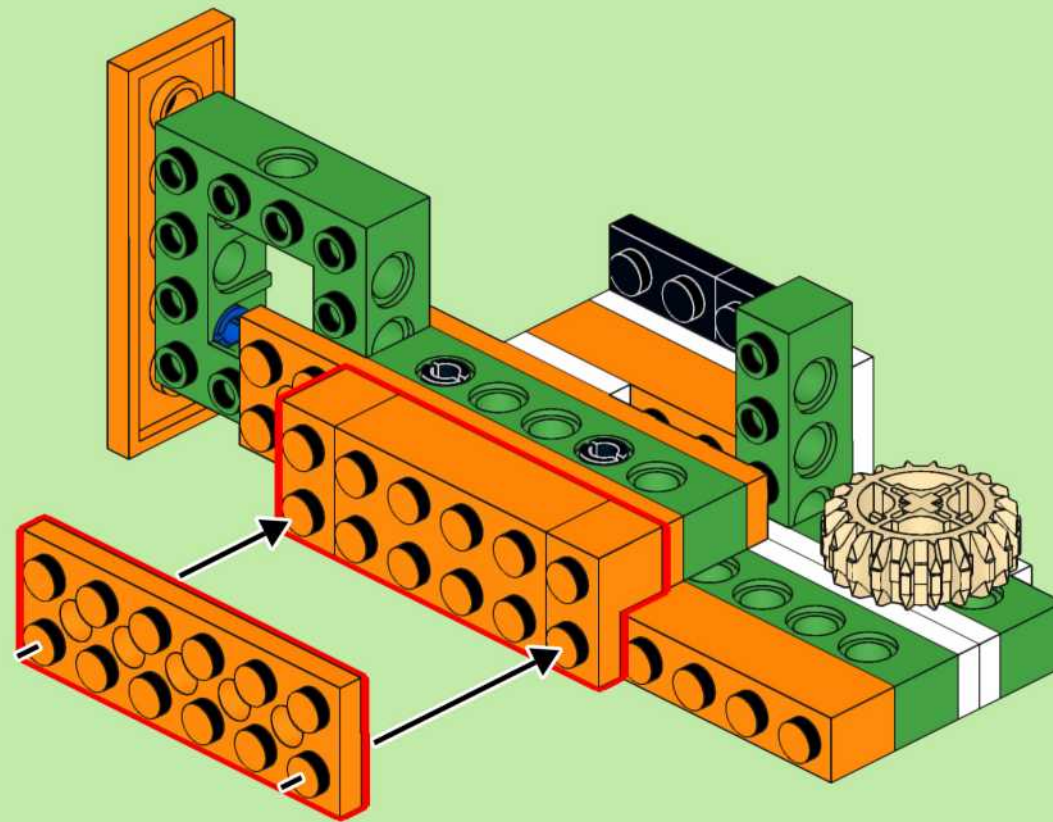
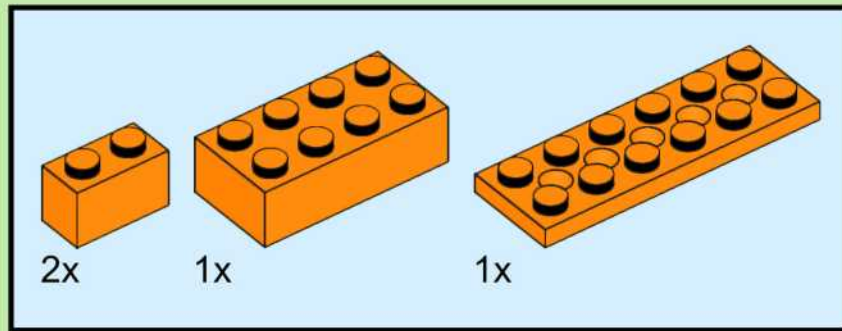


# 31



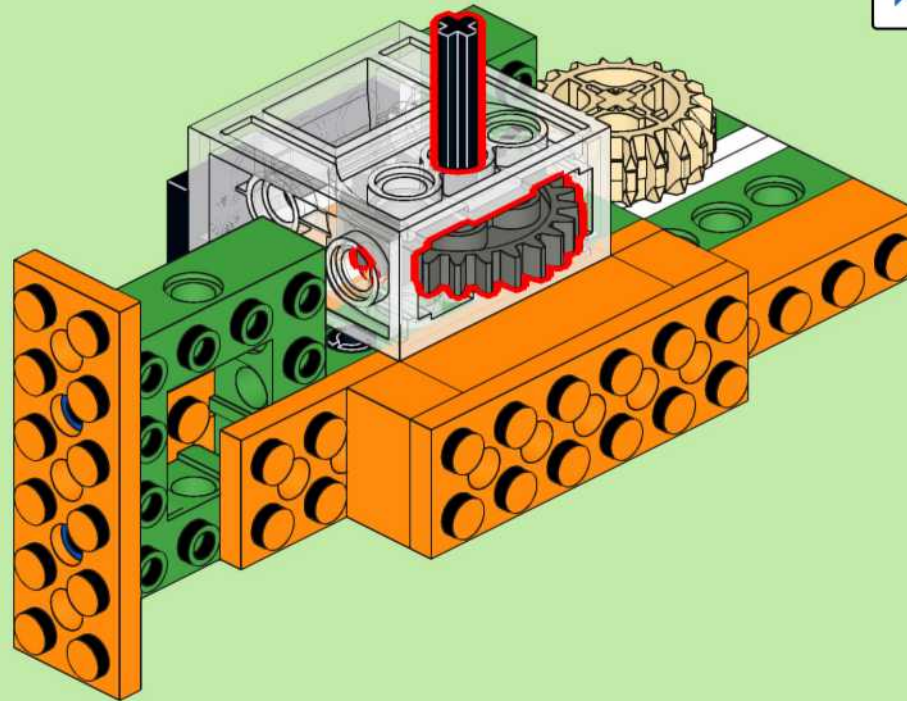
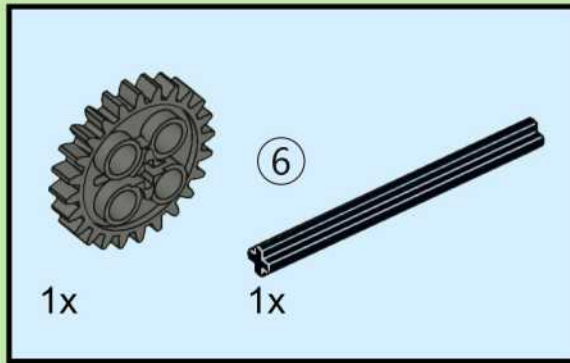


# 32

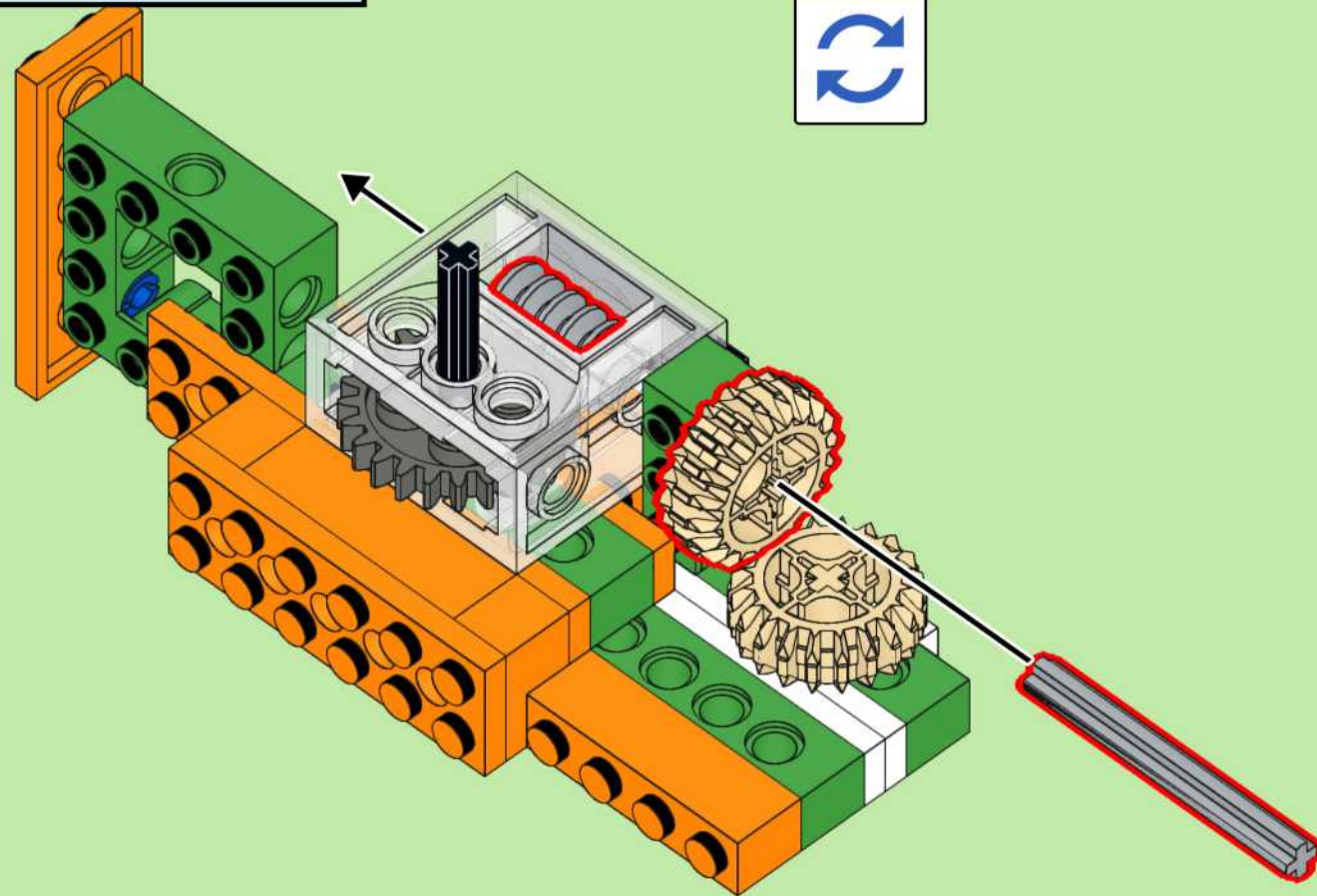
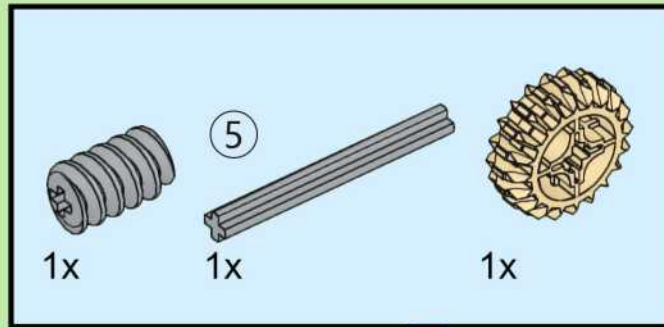




# 34

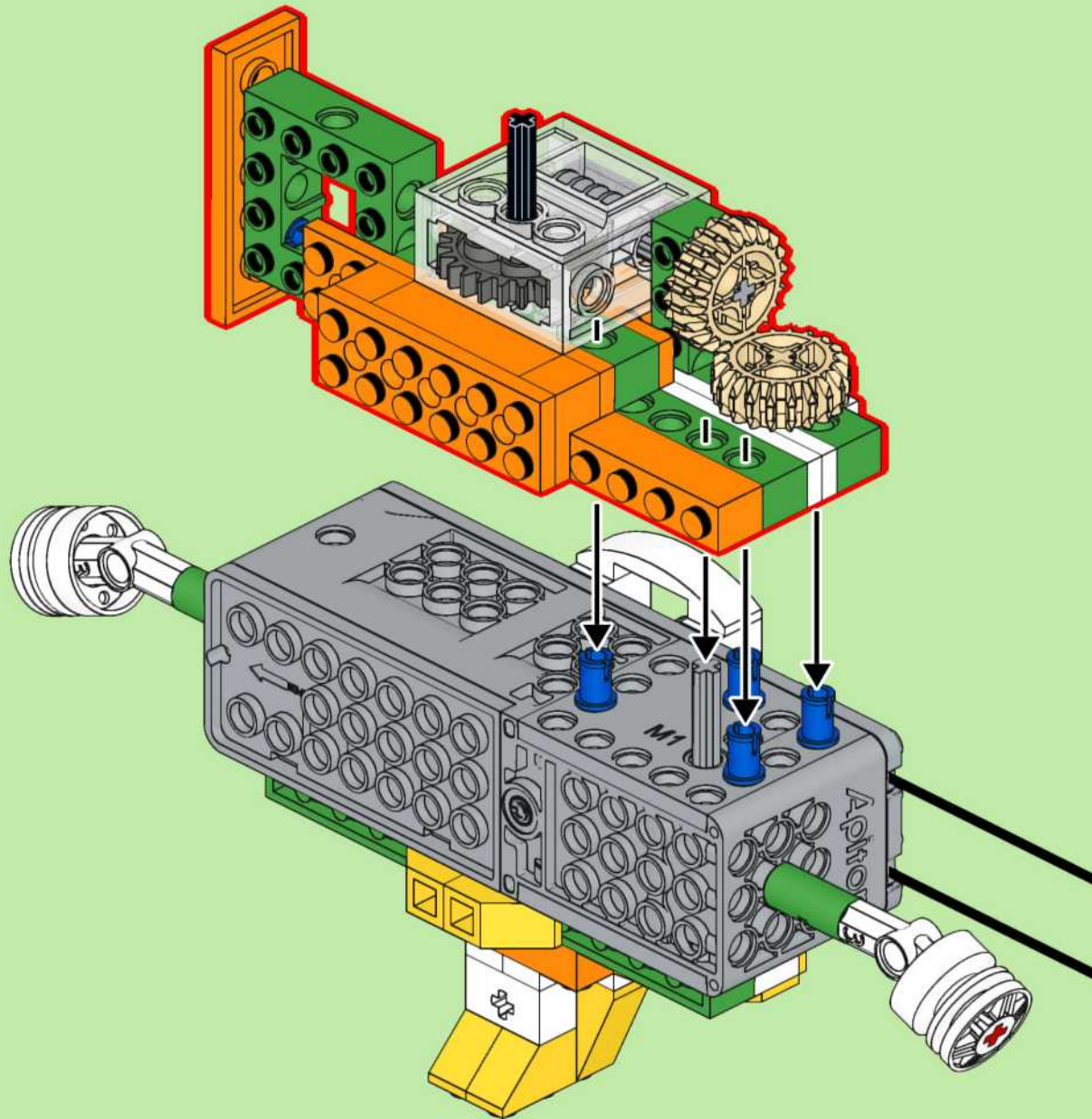


# 35



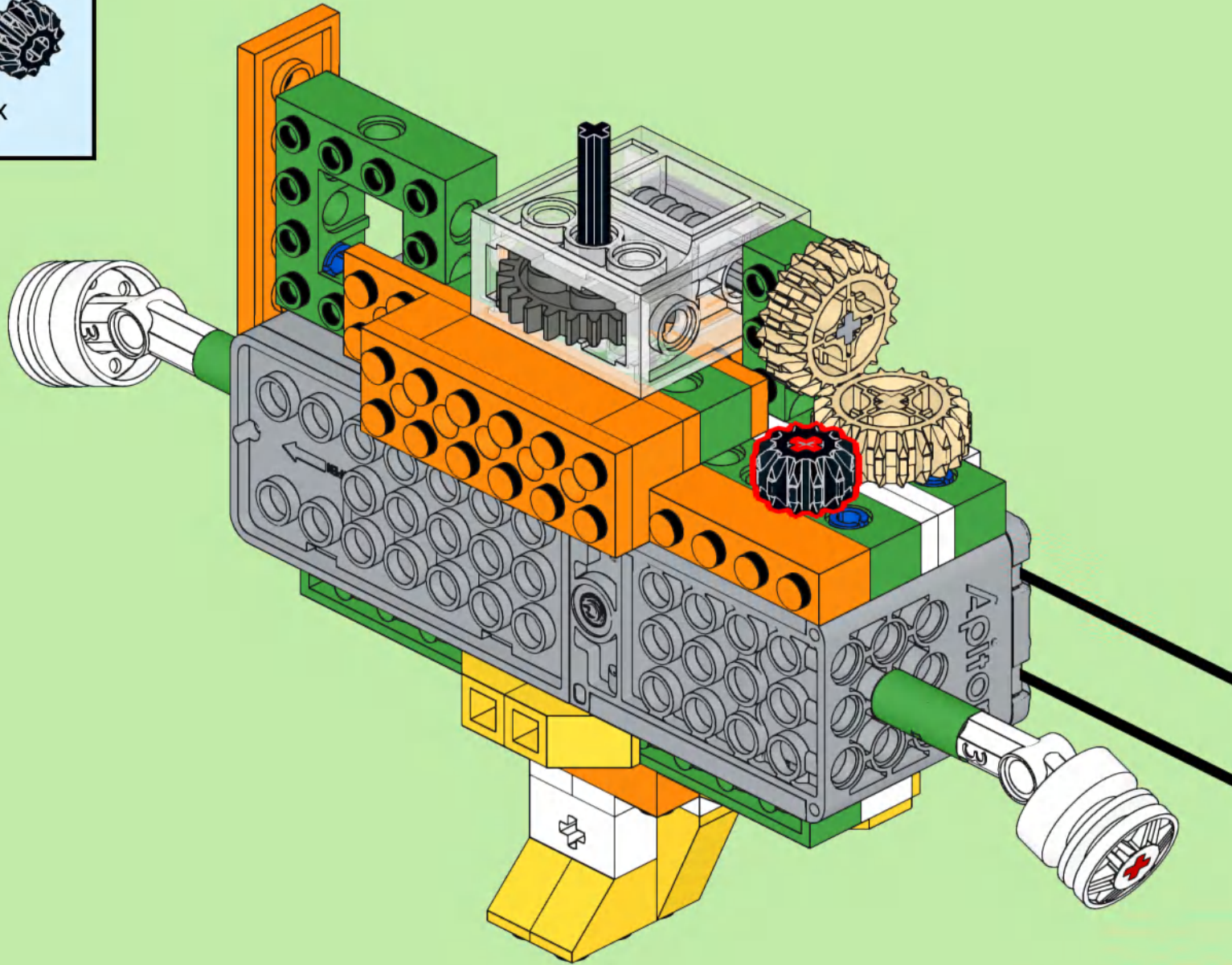
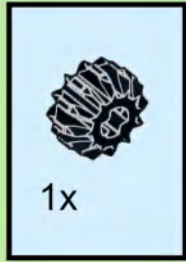


# 36

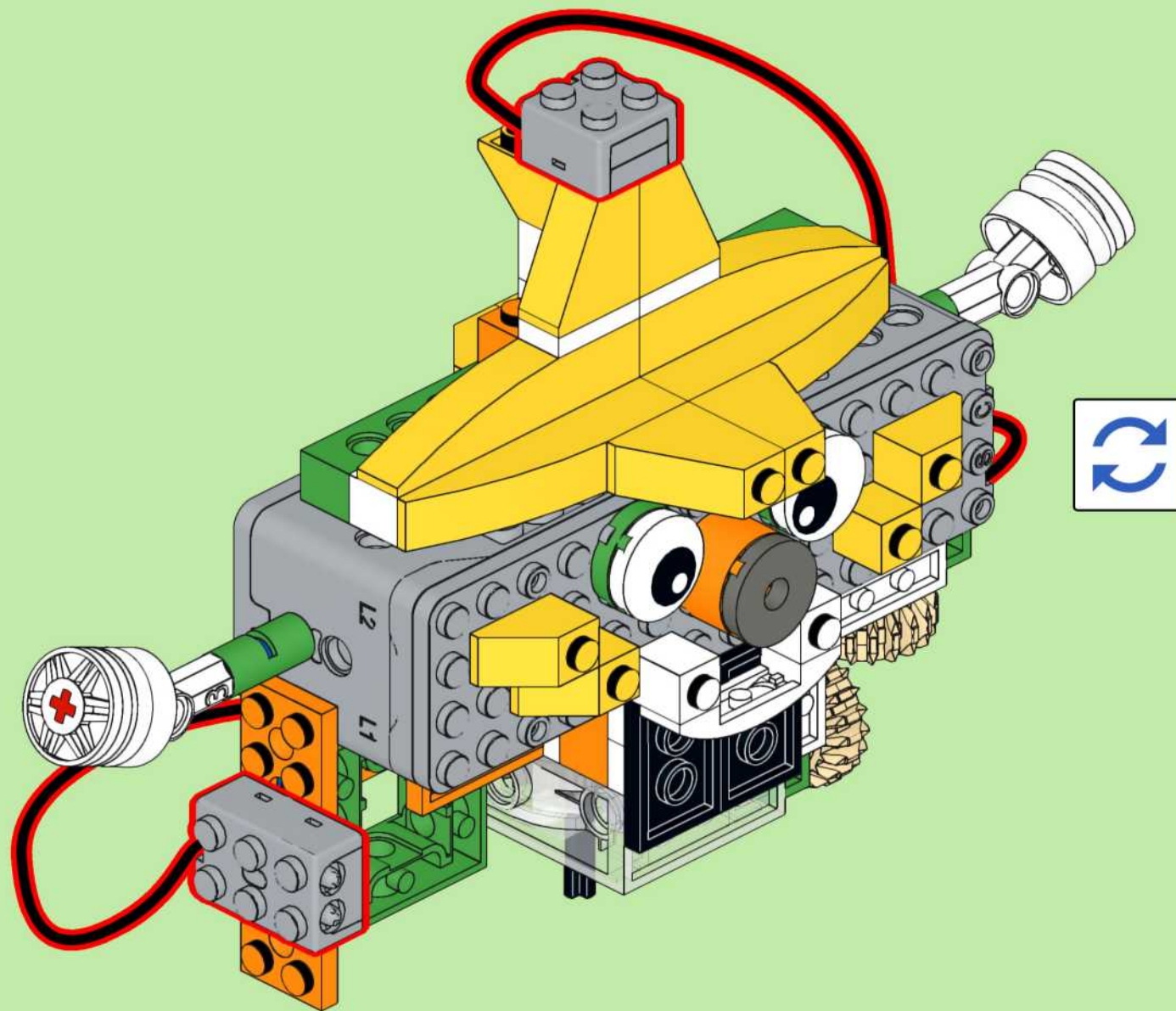




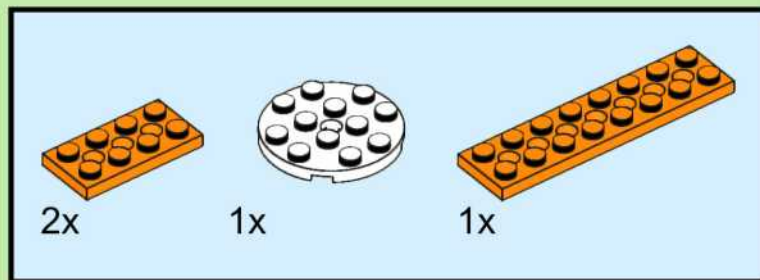
# 37



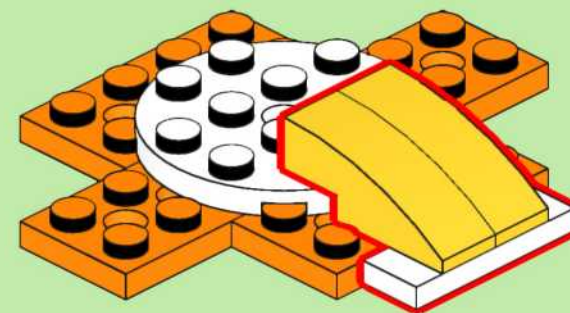
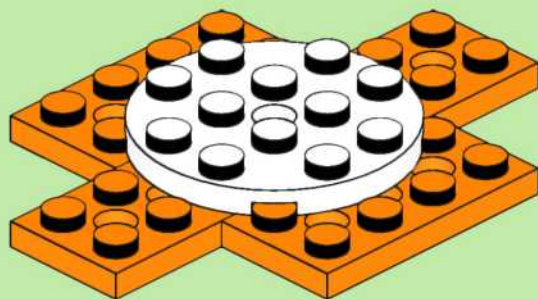
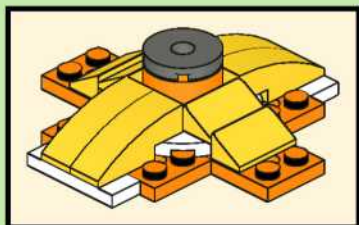
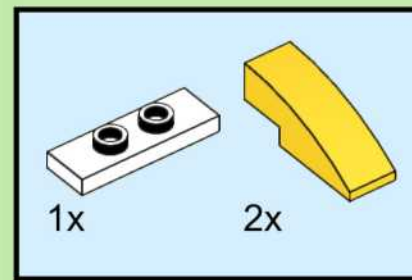
# 38



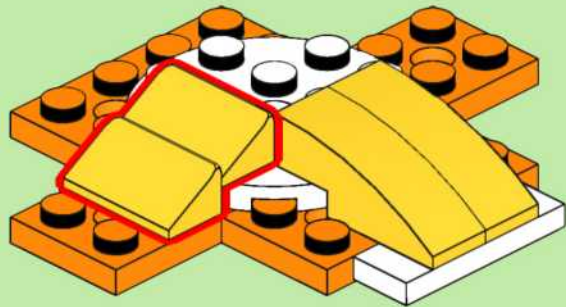
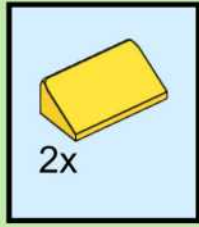
# 39



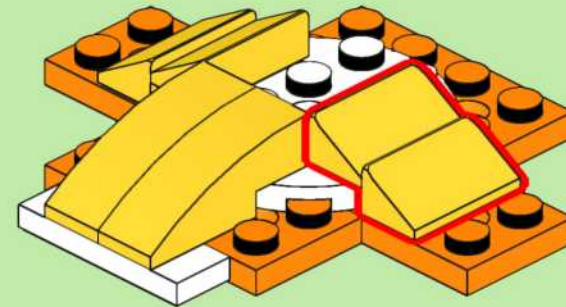
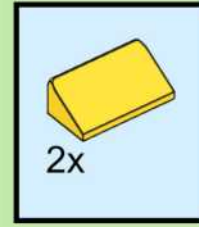
# 40



# 41

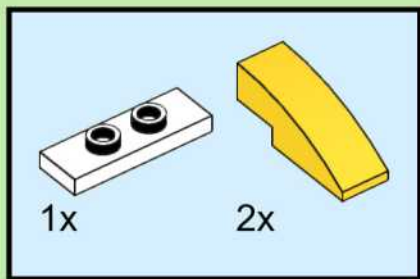


# 42

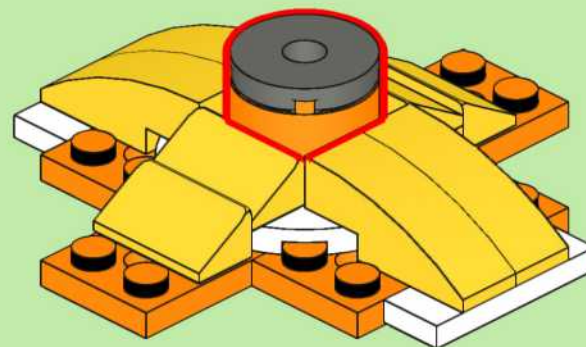
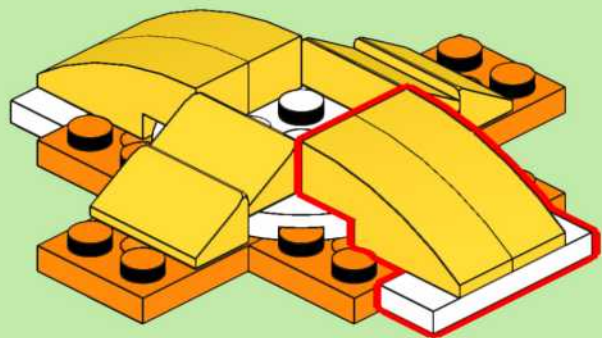
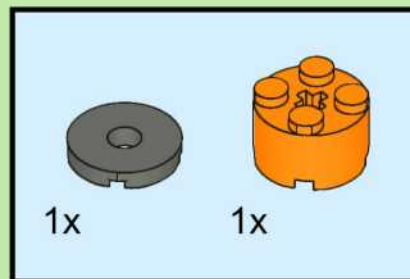




# 43

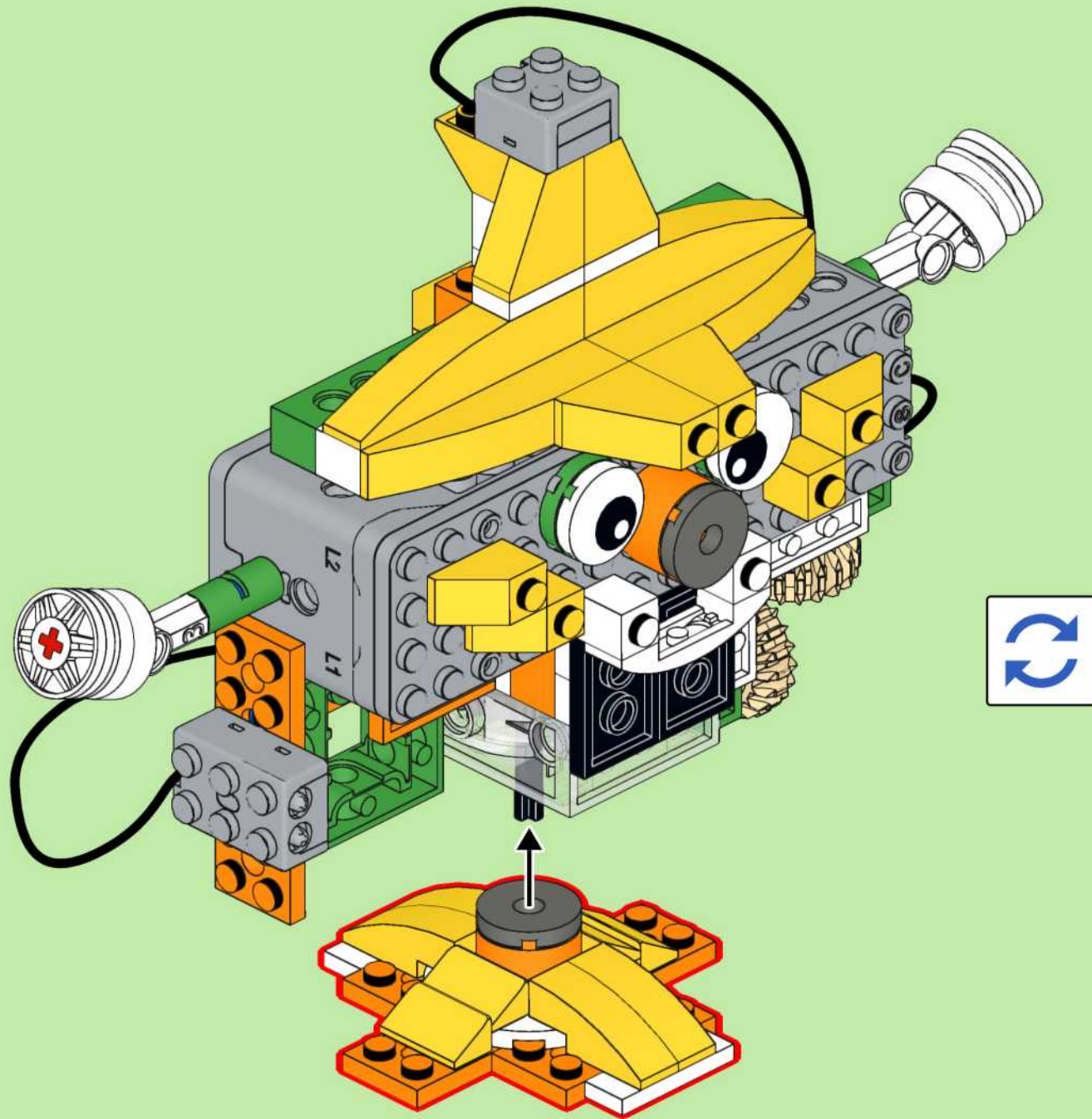


# 44





# 45



# 46

